



FOOD
COLLECTION



FLINT - EXTRA 300

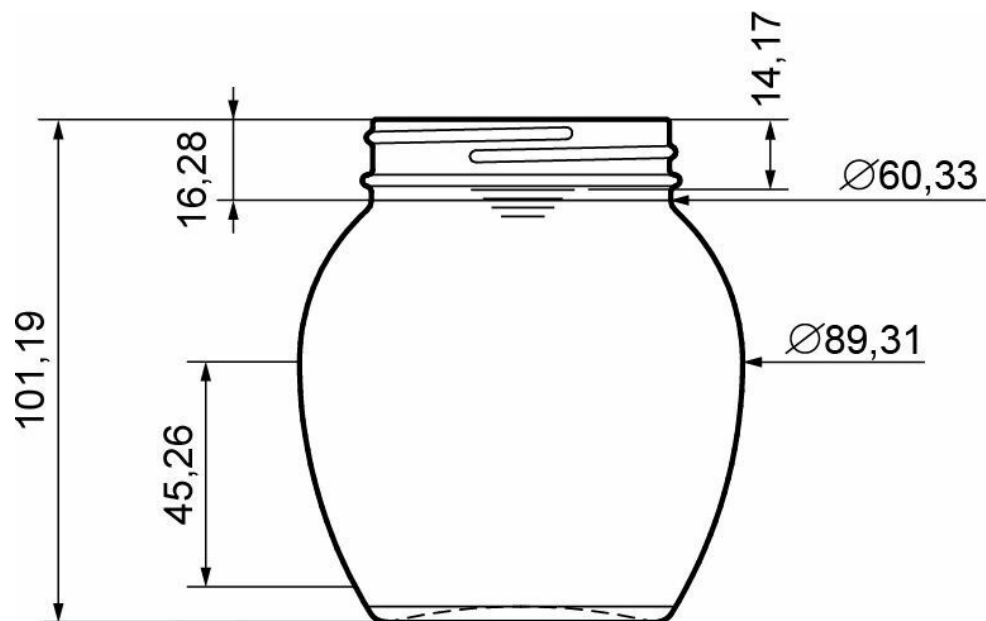
F12003718

C-3425

AVAILABLE COLORS



Flint - Extra 300



TECHNICAL SPECIFICATIONS

Product code	2003718
Capacity	355 ml
Brimfull capacity	355 ml
Height	101.19 mm
Diameter	54.16 mm
Shape	Round
Label protection	No
Refillable	No
Weight	192 g
Mold number	C-3425



O-I South America - May 4, 2026

The images, specifications and other data on this page are for information purposes only. The present information can in no way be used or interpreted as a technical drawing. Specific advice should be obtained from your O-I representative with regards to the suitability of products prior to any application. The information on industry containers is updated from time to time, however O-I reserves the right to amend the specifications or to withdraw certain containers from sale without notice.

www.o-i.com

www.glass-catalog.com

© 2026, O-I Glass, Inc