



01 A05 3041A



BEER
COLLECTION



LAGER

A trusted taste bottled in a singular design.



AMBER BEER

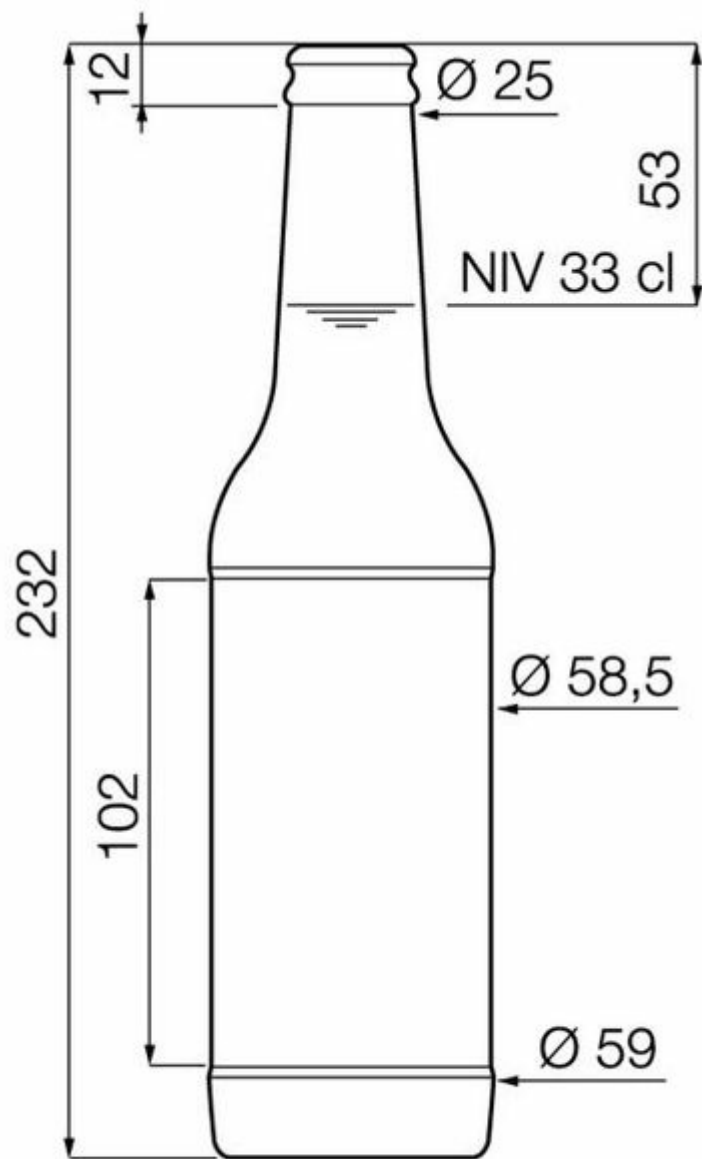
A1021026

33CL ALE

AVAILABLE COLORS



Amber beer



BOTTLE 9

TECHNICAL SPECIFICATIONS

Product code	021026
Capacity	33.0 cl
Brimfull capacity	34.5 cl
Height	232.0 mm
Diameter	59.0 mm
Shape	Round
Finish	Crown Cork
Label protection	No
Refillable	No
Weight	240 g
Country	Czech Republic

PACKAGING SPECIFICATIONS

Containers per pallet	2051
Layers per pallet	7
Pallet width	800 mm
Pallet depth	1200 mm
Pallet height	1792 mm
Gross weight of pallet	532.00 kg

i Other packaging specs are available upon request.



O-I Europe - 28 March 2025

The images, specifications and other data on this page are for information purposes only. The present information can in no way be used or interpreted as a technical drawing. Specific advice should be obtained from your O-I representative with regards to the suitability of products prior to any application. The information on industry containers is updated from time to time, however O-I reserves the right to amend the specifications or to withdraw certain containers from sale without notice.

www.o-i.com

www.glass-catalog.com

© 2025, O-I Glass, Inc