



**SPIRITS  
COLLECTION**



# WHITE SPIRITS

From crafts looking to premium, our collection of bottles will sublime your spirit and offer accessible elegance.



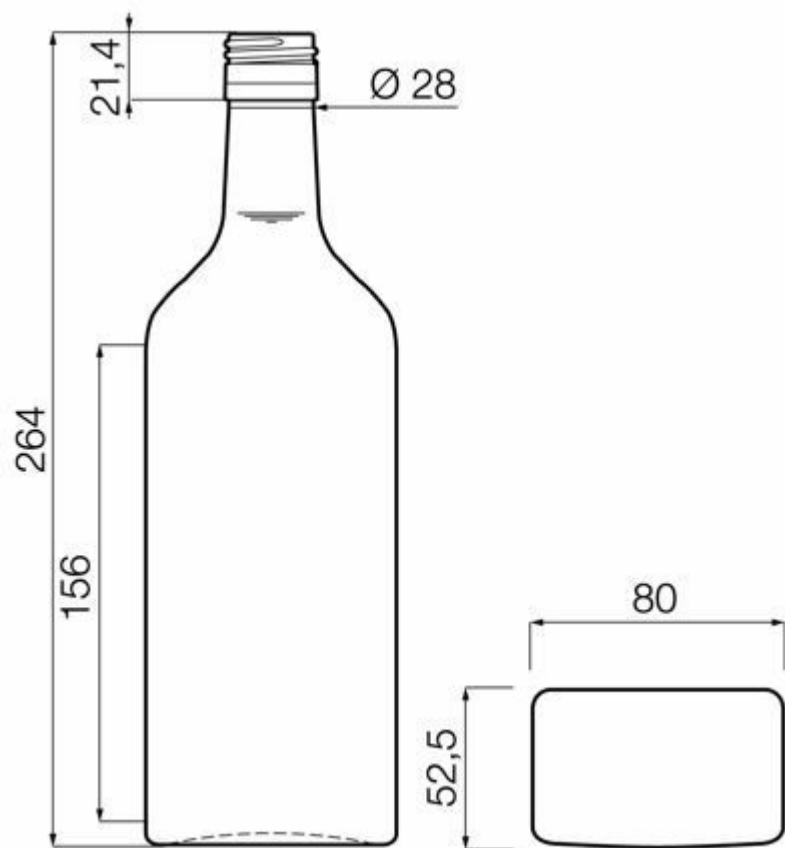
FLINT  
F3017063

# 50CL KIRSCHWASSER

AVAILABLE COLORS



Flint



## TECHNICAL SPECIFICATIONS

Product code	017063
Capacity	50.0 cl
Brimfull capacity	51.5 cl
Height	264.0 mm
Diameter	80.0 mm
Shape	Rectangular
Finish	Screw
Label protection	No
Refillable	No
Weight	585 g
Country	Germany

## PACKAGING SPECIFICATIONS

Containers per pallet	1380
Layers per pallet	6
Pallet width	800 mm
Pallet depth	1200 mm
Pallet height	1734 mm
Gross weight of pallet	834.00 kg

**i** Other packaging specs are available upon request.



O-I Europe - 11 April 2025

The images, specifications and other data on this page are for information purposes only. The present information can in no way be used or interpreted as a technical drawing. Specific advice should be obtained from your O-I representative with regards to the suitability of products prior to any application. The information on industry containers is updated from time to time, however O-I reserves the right to amend the specifications or to withdraw certain containers from sale without notice.

[www.o-i.com](http://www.o-i.com)  
[www.glass-catalog.com](http://www.glass-catalog.com)

© 2025, O-I Glass, Inc