



**SPIRITS
COLLECTION**



LIQUEURS

A selection of shapes that underline the attributes of your product and make your brand stand out.



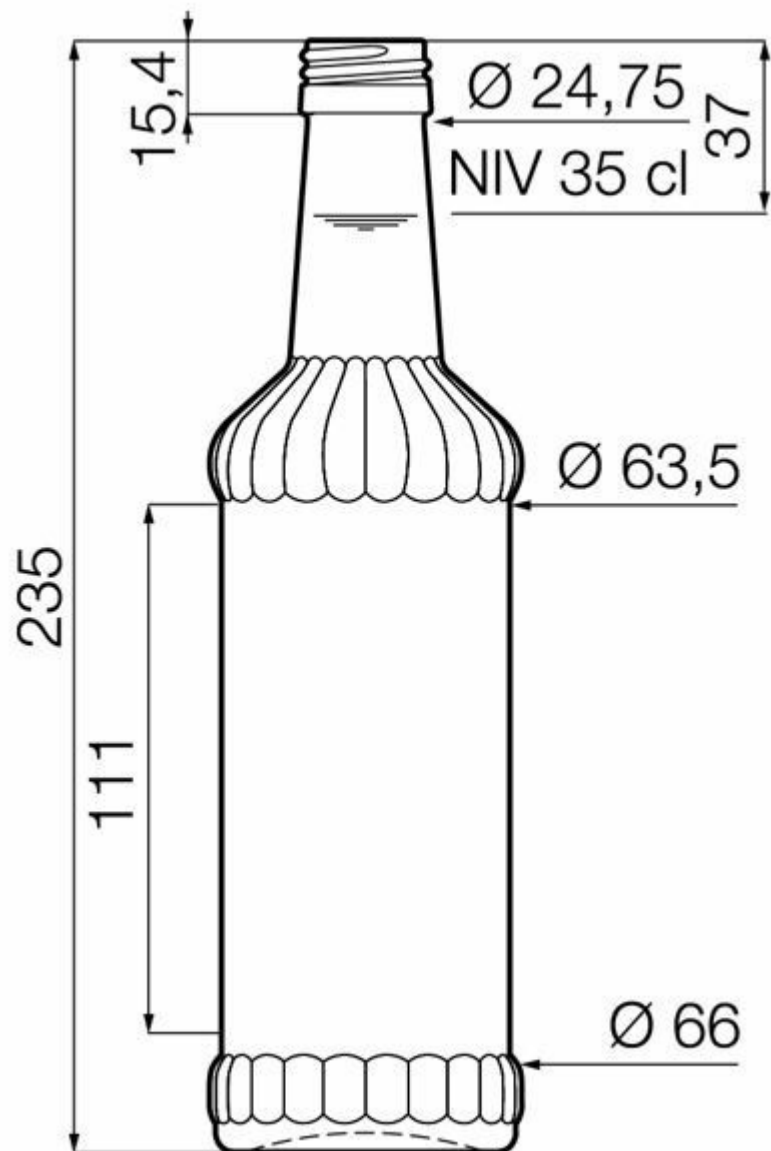
FLINT
F3017095

35CL LIKOER

AVAILABLE COLORS



Flint



TECHNICAL SPECIFICATIONS

Product code	017095
Capacity	35.0 cl
Brimfull capacity	36.0 cl
Height	235.0 mm
Diameter	66.0 mm
Shape	Round
Finish	Screw
Label protection	No
Refillable	No
Weight	375 g
Country	Germany

PACKAGING SPECIFICATIONS

Containers per pallet	1788
Layers per pallet	6
Pallet width	1000 mm
Pallet depth	1200 mm
Pallet height	1565 mm
Gross weight of pallet	702.00 kg

i Other packaging specs are available upon request.



O-I Europe - 30 March 2025

The images, specifications and other data on this page are for information purposes only. The present information can in no way be used or interpreted as a technical drawing. Specific advice should be obtained from your O-I representative with regards to the suitability of products prior to any application. The information on industry containers is updated from time to time, however O-I reserves the right to amend the specifications or to withdraw certain containers from sale without notice.

www.o-i.com

www.glass-catalog.com

© 2025, O-I Glass, Inc