



**SPIRITS  
COLLECTION**



# OTHER SPIRITS

A selection of bottle designs in a variety of sizes, colors & finishes to find the perfect presentation of your brand.



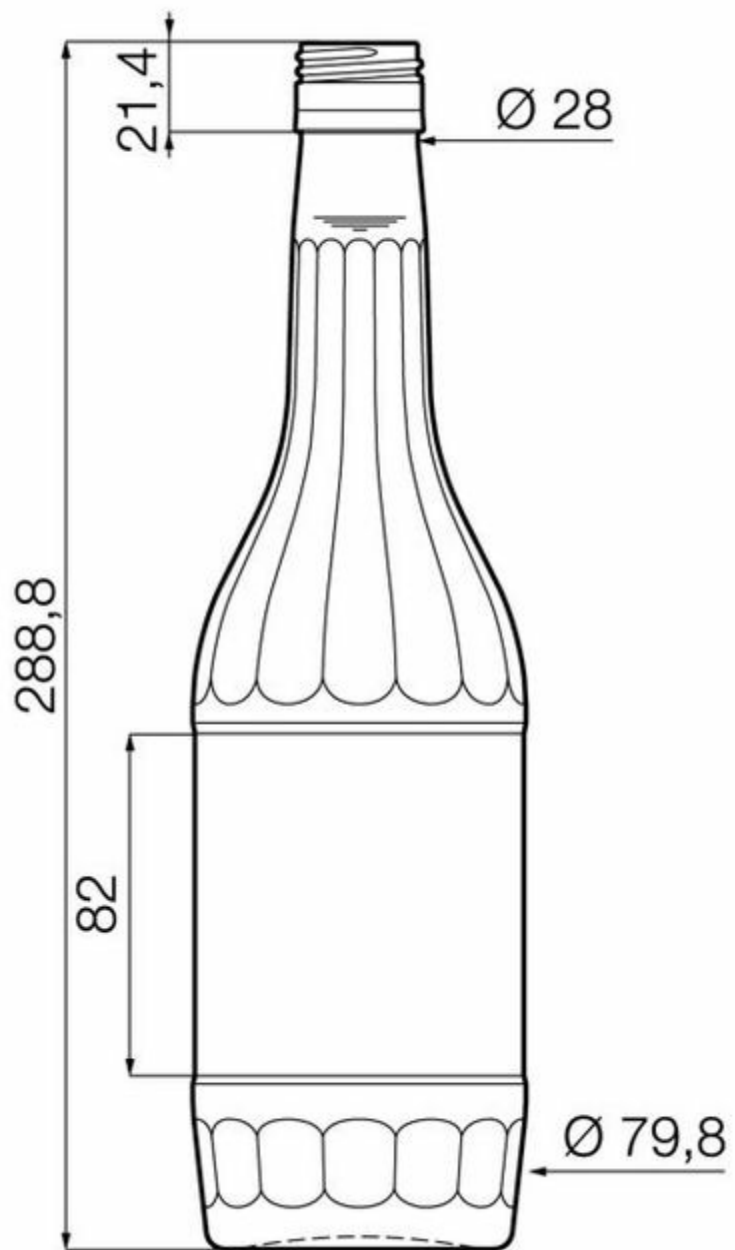
FLINT  
F3017484

# 70CL SPIRITUOSEN

AVAILABLE COLORS



Flint



### TECHNICAL SPECIFICATIONS

Product code	017484
Capacity	70.0 cl
Brimfull capacity	71.2 cl
Height	288.8 mm
Diameter	79.8 mm
Shape	Round
Finish	Screw
Label protection	No
Refillable	No
Weight	380 g
Country	Germany

### PACKAGING SPECIFICATIONS

Containers per pallet	1218
Layers per pallet	6
Pallet width	1000 mm
Pallet depth	1200 mm
Pallet height	1878 mm
Gross weight of pallet	506.00 kg

**i** Other packaging specs are available upon request.



O-I Europe - 30 March 2025

The images, specifications and other data on this page are for information purposes only. The present information can in no way be used or interpreted as a technical drawing. Specific advice should be obtained from your O-I representative with regards to the suitability of products prior to any application. The information on industry containers is updated from time to time, however O-I reserves the right to amend the specifications or to withdraw certain containers from sale without notice.

[www.o-i.com](http://www.o-i.com)

[www.glass-catalog.com](http://www.glass-catalog.com)

© 2025, O-I Glass, Inc