



**SPIRITS  
COLLECTION**



FLINT - INDUSTRIAL 1200

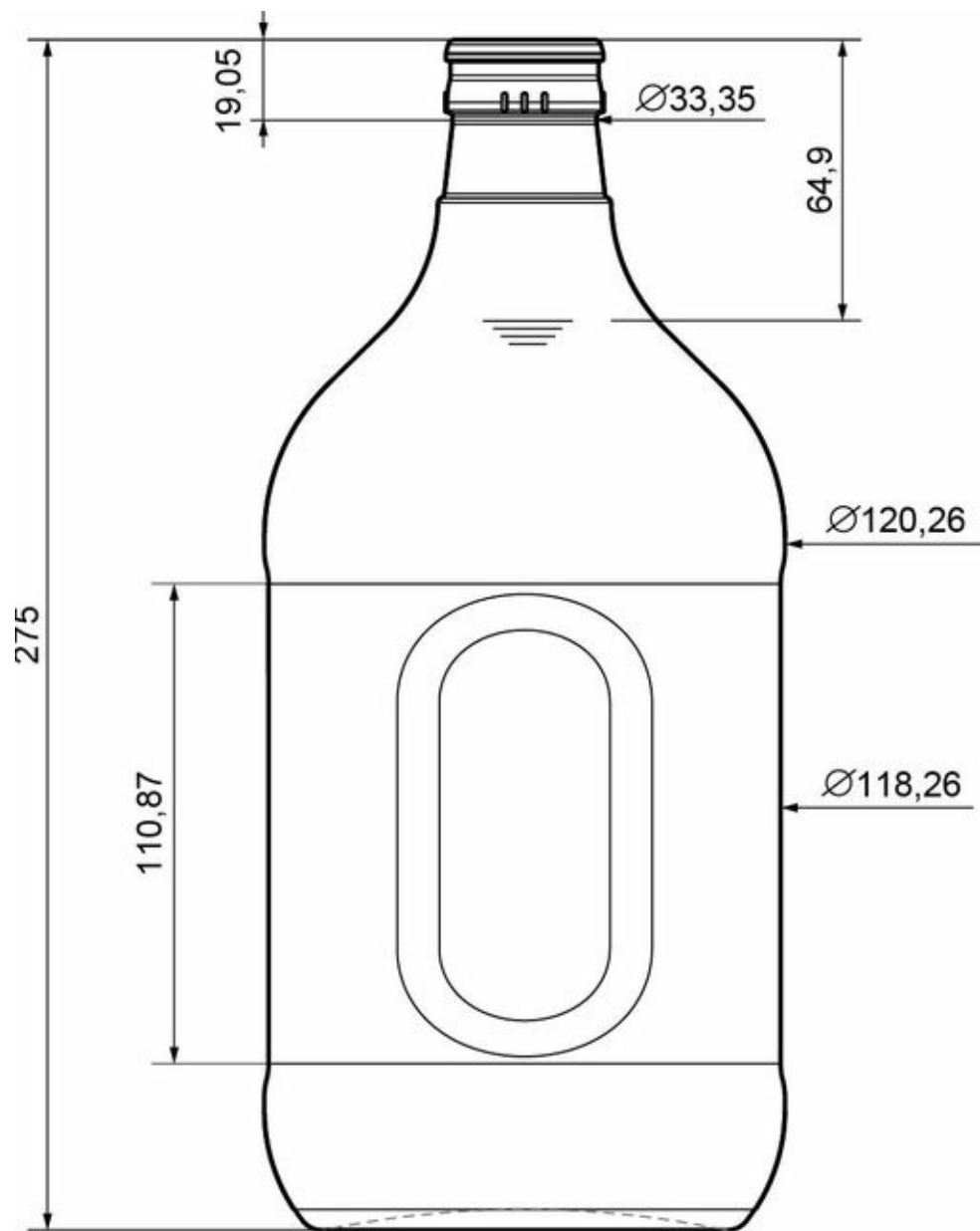
F42201371

**L-4433**

AVAILABLE COLORS



Flint - Industrial 1200



### TECHNICAL SPECIFICATIONS

Product code	2201371
Capacity	1750 ml
Brimfull capacity	1796 ml
Height	275 mm
Diameter	120.26 mm
Shape	Handled round
Label protection	No
Refillable	No
Weight	880 g
Mold number	L-4433



O-I South America - April 7, 2026

The images, specifications and other data on this page are for information purposes only. The present information can in no way be used or interpreted as a technical drawing. Specific advice should be obtained from your O-I representative with regards to the suitability of products prior to any application. The information on industry containers is updated from time to time, however O-I reserves the right to amend the specifications or to withdraw certain containers from sale without notice.

[www.o-i.com](http://www.o-i.com)

[www.glass-catalog.com](http://www.glass-catalog.com)

© 2026, O-I Glass, Inc