



FOOD
COLLECTION



PRESERVED FRUITS & VEGETABLES

From 10cl to a gallon, every fruit and vegetable will find its jar.



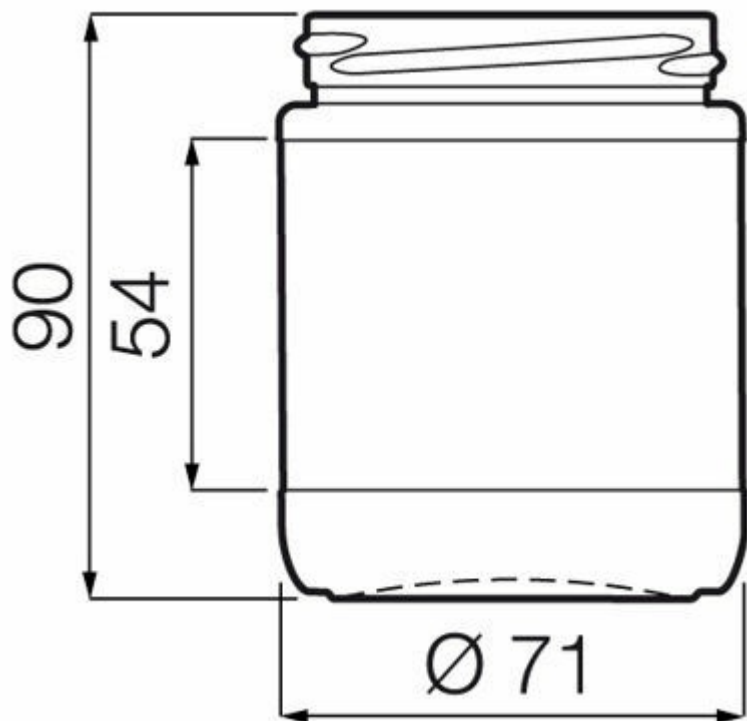
24CL JAR 310-241 TO66

AVAILABLE COLORS



Flint

FLINT
F3014261



TECHNICAL SPECIFICATIONS

Product code	014261
Capacity	24.0 cl
Brimfull capacity	26.7 cl
Height	90.0 mm
Diameter	71.0 mm
Shape	Round
Finish	Wide mouth
Label protection	Yes
Refillable	No
Weight	160 g
Country	Estonia

PACKAGING SPECIFICATIONS

Containers per pallet	4864
Layers per pallet	19
Pallet width	1000 mm
Pallet depth	1200 mm
Pallet height	1910 mm
Gross weight of pallet	811.00 kg

i Other packaging specs are available upon request.



O-I Europe - 21 May 2025

The images, specifications and other data on this page are for information purposes only. The present information can in no way be used or interpreted as a technical drawing. Specific advice should be obtained from your O-I representative with regards to the suitability of products prior to any application. The information on industry containers is updated from time to time, however O-I reserves the right to amend the specifications or to withdraw certain containers from sale without notice.

www.o-i.com
www.glass-catalog.com

© 2025, O-I Glass, Inc