



FOOD
COLLECTION



DAIRY

Enjoying a creamy yogurt straight from the fridge or the pure taste of milk in glass...



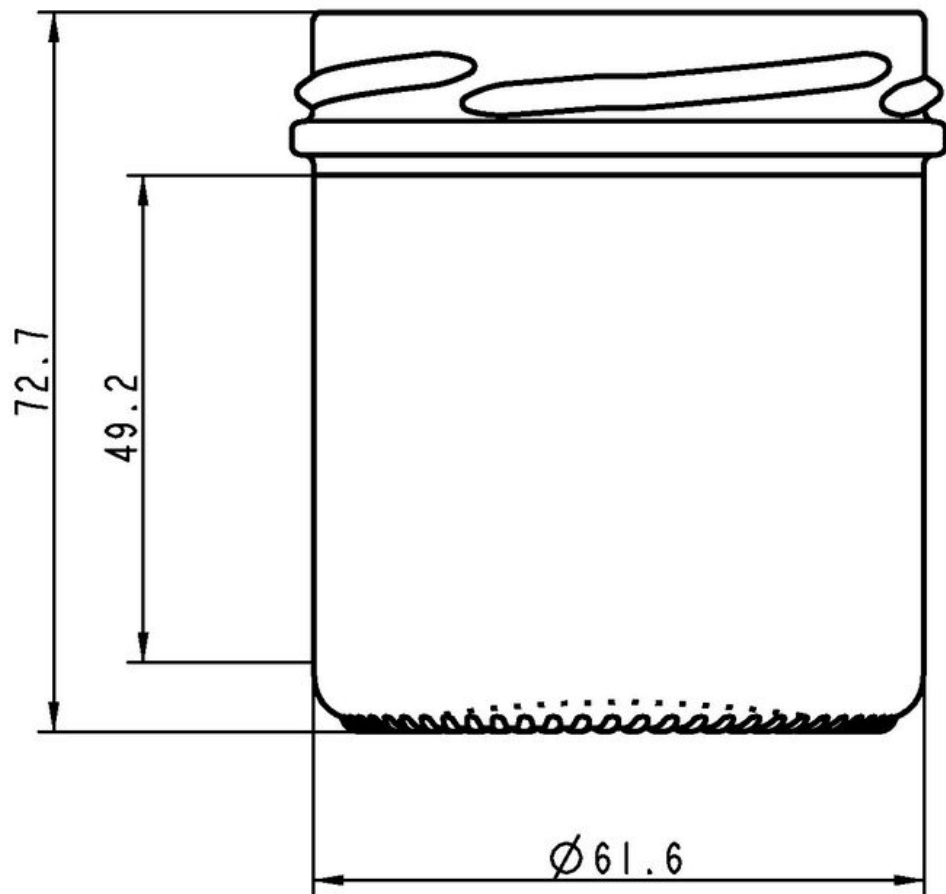
165ML LAURA TO66

AVAILABLE COLORS



Flint

FLINT
F3130605



TECHNICAL SPECIFICATIONS

Product code	130605
Capacity	16.5 cl
Brimfull capacity	16.5 cl
Height	72.7 mm
Diameter	61.6 mm
Shape	Round
Finish	Wide mouth
Label protection	Yes
Refillable	No
Weight	120 g
Country	Czech Republic

PACKAGING SPECIFICATIONS

Containers per pallet	4560
Layers per pallet	20
Pallet width	800 mm
Pallet depth	1200 mm
Pallet height	1661 mm
Gross weight of pallet	579.00 kg

i Other packaging specs are available upon request.



O-I Europe - 21 May 2025

The images, specifications and other data on this page are for information purposes only. The present information can in no way be used or interpreted as a technical drawing. Specific advice should be obtained from your O-I representative with regards to the suitability of products prior to any application. The information on industry containers is updated from time to time, however O-I reserves the right to amend the specifications or to withdraw certain containers from sale without notice.

www.o-i.com
www.glass-catalog.com

© 2025, O-I Glass, Inc