



**SPIRITS
COLLECTION**



OTHER SPIRITS

A selection of bottle designs in a variety of sizes, colors & finishes to find the perfect presentation of your brand.



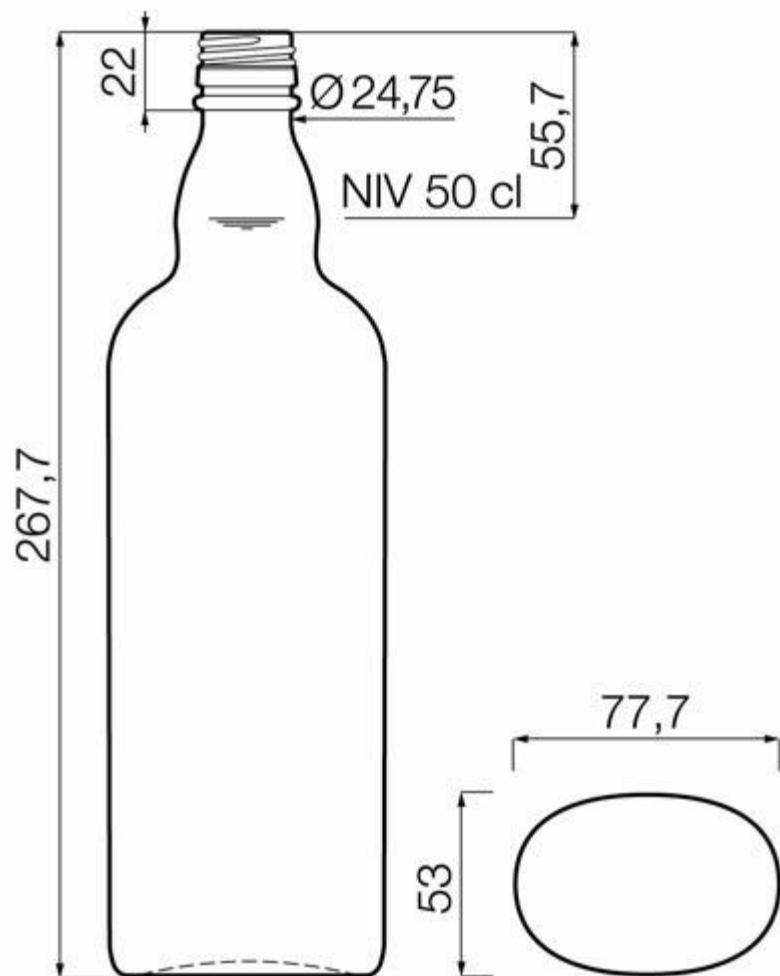
FLINT
F3017602

50CL KROPFHALS

AVAILABLE COLORS



Flint



TECHNICAL SPECIFICATIONS

Product code	017602
Capacity	50.0 cl
Brimfull capacity	51.5 cl
Height	267.7 mm
Diameter	77.7 mm
Shape	Oval
Finish	Screw
Label protection	No
Refillable	No
Weight	450 g
Country	Germany

PACKAGING SPECIFICATIONS

Containers per pallet	1890
Layers per pallet	7
Pallet width	1000 mm
Pallet depth	1200 mm
Pallet height	2032 mm
Gross weight of pallet	892.00 kg

i Other packaging specs are available upon request.



O-I Europe - 11 April 2025

The images, specifications and other data on this page are for information purposes only. The present information can in no way be used or interpreted as a technical drawing. Specific advice should be obtained from your O-I representative with regards to the suitability of products prior to any application. The information on industry containers is updated from time to time, however O-I reserves the right to amend the specifications or to withdraw certain containers from sale without notice.

www.o-i.com

www.glass-catalog.com

© 2025, O-I Glass, Inc