



**SPIRITS
COLLECTION**



OTHER SPIRITS

A selection of bottle designs in a variety of sizes, colors & finishes to find the perfect presentation of your brand.



50CL SLIVOVITZ

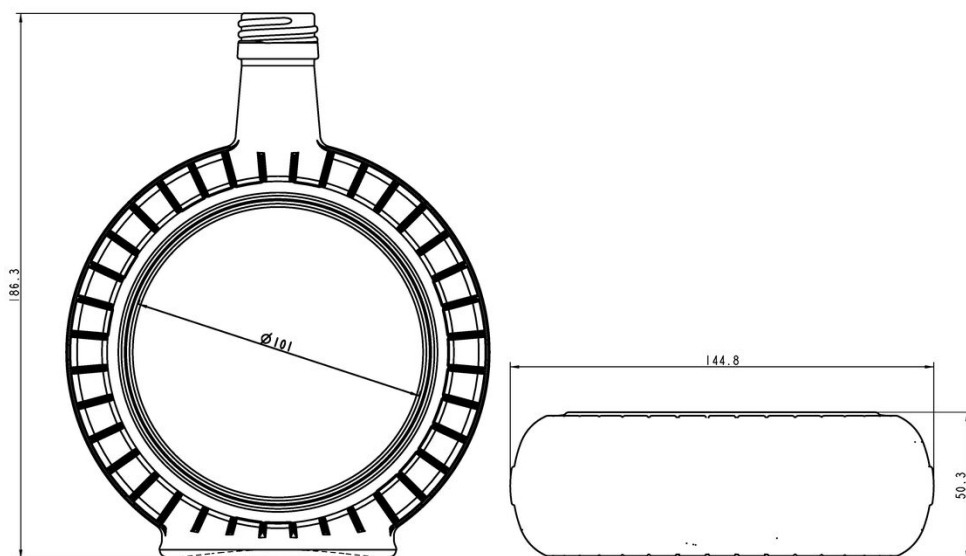
AVAILABLE COLORS



Flint

FLINT

F3131043



TECHNICAL SPECIFICATIONS

Product code	131043
Capacity	50.0 cl
Brimfull capacity	51.5 cl
Height	186.3 mm
Diameter	144.8 mm
Shape	Special
Finish	Screw
Label protection	No
Refillable	No
Weight	540 g
Country	Germany

PACKAGING SPECIFICATIONS

Containers per pallet	1216
Layers per pallet	8
Pallet width	1000 mm
Pallet depth	1200 mm
Pallet height	1672 mm
Gross weight of pallet	699.00 kg

i Other packaging specs are available upon request.



O-I Europe - 11 April 2025

The images, specifications and other data on this page are for information purposes only. The present information can in no way be used or interpreted as a technical drawing. Specific advice should be obtained from your O-I representative with regards to the suitability of products prior to any application. The information on industry containers is updated from time to time, however O-I reserves the right to amend the specifications or to withdraw certain containers from sale without notice.

www.o-i.com

www.glass-catalog.com

© 2025, O-I Glass, Inc