



01 A05 3041A



BEER
COLLECTION



LAGER

A trusted taste bottled in a singular design.



GREEN BEER EMERALD

G3004665





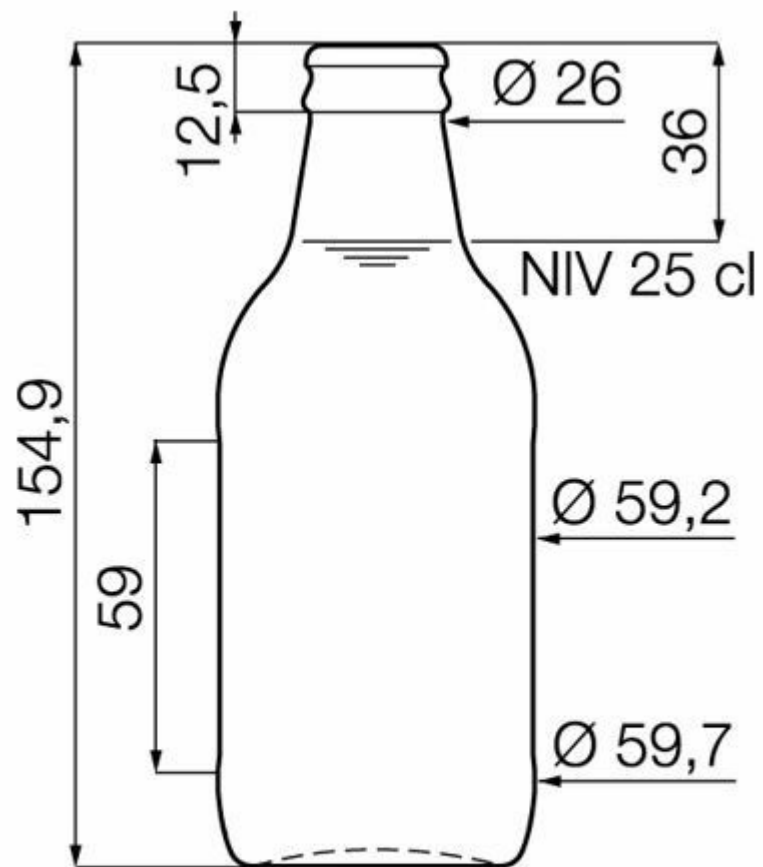
AMBER BEER

A1004665

25CL EVA LIGHT

AVAILABLE COLORS

-  Green beer emerald
-  Amber beer



BOTTLE 19

TECHNICAL SPECIFICATIONS

Product code	004665
Capacity	25.0 cl
Brimfull capacity	26.6 cl
Height	154.9 mm
Diameter	59.6 mm
Shape	Round
Finish	Crown Cork
Label protection	No
Refillable	No
Weight	129 g
Country	Netherlands

PACKAGING SPECIFICATIONS

Containers per pallet	4081
Layers per pallet	11
Pallet width	1000 mm
Pallet depth	1200 mm
Pallet height	1904 mm
Gross weight of pallet	582.00 kg

i Other packaging specs are available upon request.



O-I Europe - 5 April 2026

The images, specifications and other data on this page are for information purposes only. The present information can in no way be used or interpreted as a technical drawing. Specific advice should be obtained from your O-I representative with regards to the suitability of products prior to any application. The information on industry containers is updated from time to time, however O-I reserves the right to amend the specifications or to withdraw certain containers from sale without notice.

www.o-i.com

www.glass-catalog.com

© 2026, O-I Glass, Inc