



FOOD  
COLLECTION



# CONDIMENTS & TABLE SAUCES

A wide range of jars and bottles designed to make mouths water.



## 212ML TO/S TO53

AVAILABLE COLORS

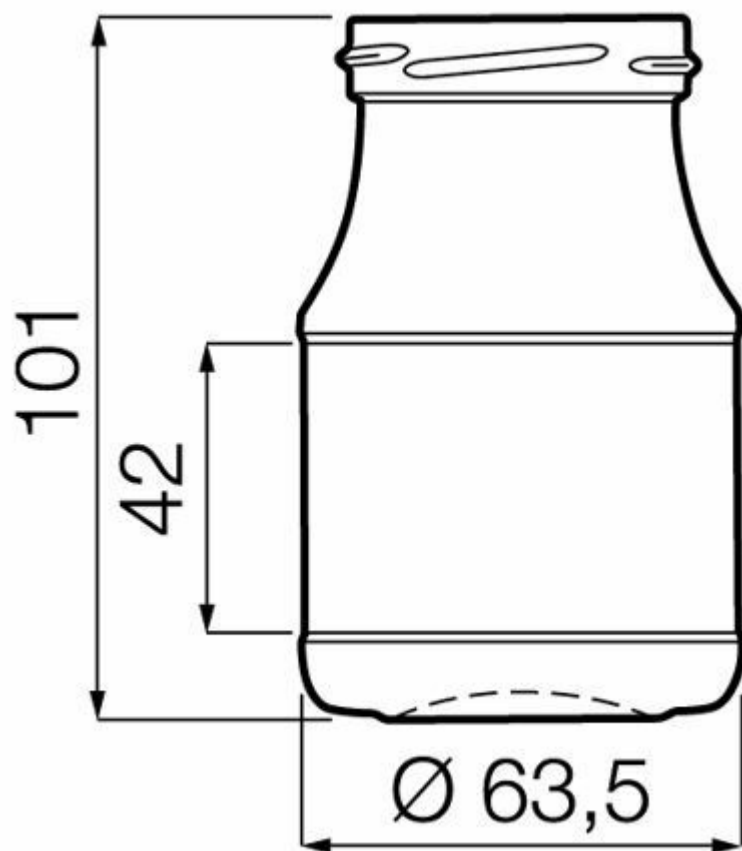


Flint

FLINT

F3006051





### TECHNICAL SPECIFICATIONS

Product code	006051
Capacity	21.2 cl
Brimfull capacity	21.2 cl
Height	101.0 mm
Diameter	63.5 mm
Shape	Round
Finish	Wide mouth
Label protection	No
Refillable	No
Weight	115 g
Country	Poland

### PACKAGING SPECIFICATIONS

Containers per pallet	5832
Layers per pallet	18
Pallet width	1000 mm
Pallet depth	1200 mm
Pallet height	2006 mm
Gross weight of pallet	706.00 kg

**i** Other packaging specs are available upon request.



O-I Europe - 27 June 2026

The images, specifications and other data on this page are for information purposes only. The present information can in no way be used or interpreted as a technical drawing. Specific advice should be obtained from your O-I representative with regards to the suitability of products prior to any application. The information on industry containers is updated from time to time, however O-I reserves the right to amend the specifications or to withdraw certain containers from sale without notice.

[www.o-i.com](http://www.o-i.com)  
[www.glass-catalog.com](http://www.glass-catalog.com)

© 2026, O-I Glass, Inc