



**NON-ALCOHOLIC BEVERAGES  
COLLECTION**



# JUICES & SMOOTHIES

All the benefits of fruits and vegetables captured in the healthiest packaging.





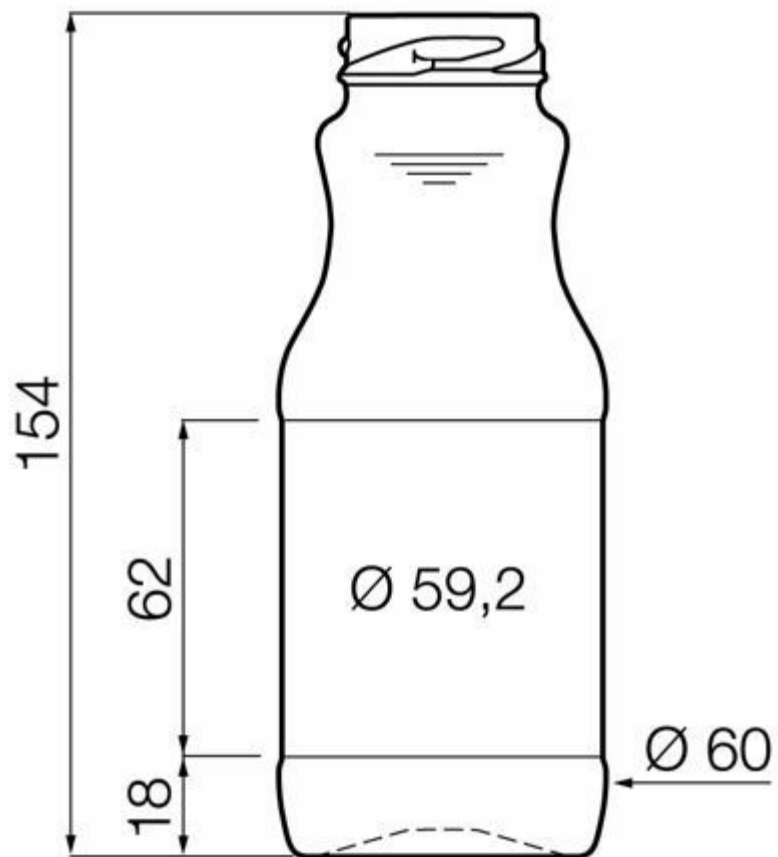
FLINT  
F3006324

## 25CL VITANOVA

AVAILABLE COLORS



Flint



### TECHNICAL SPECIFICATIONS

Product code	006324
Capacity	25.0 cl
Brimfull capacity	27.0 cl
Height	154.0 mm
Diameter	60.0 mm
Shape	Round
Finish	Wide mouth
Label protection	No
Refillable	No
Weight	160 g
Country	Poland

### PACKAGING SPECIFICATIONS

Containers per pallet	4452
Layers per pallet	12
Pallet width	1000 mm
Pallet depth	1200 mm
Pallet height	2026 mm
Gross weight of pallet	746.00 kg

**i** Other packaging specs are available upon request.



O-I Europe - 30 May 2026

The images, specifications and other data on this page are for information purposes only. The present information can in no way be used or interpreted as a technical drawing. Specific advice should be obtained from your O-I representative with regards to the suitability of products prior to any application. The information on industry containers is updated from time to time, however O-I reserves the right to amend the specifications or to withdraw certain containers from sale without notice.

[www.o-i.com](http://www.o-i.com)  
[www.glass-catalog.com](http://www.glass-catalog.com)

© 2026, O-I Glass, Inc