



FOOD
COLLECTION



SPREADS

An extensive selection of jars out of which gourmets will love sneaking spoonfuls.



CONDIMENTS & TABLE SAUCES

A wide range of jars and bottles designed to make mouths water.



COOKING SAUCES

A broad selection to best preserve these tasty sauces. Let's cook!



PRESERVED MEAT & FISH

Simple, transparent – let the product speak for itself.



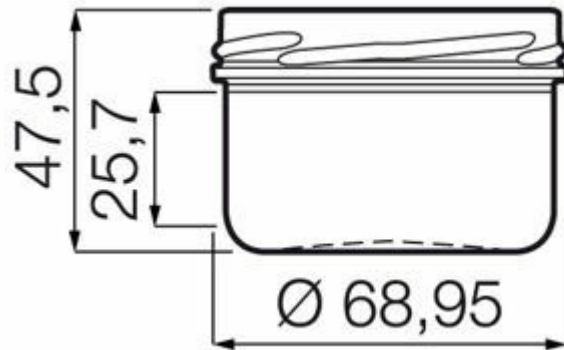
I2CL VERRINE TO70

AVAILABLE COLORS



Flint

FLINT
F3013329



TECHNICAL SPECIFICATIONS

Product code	013329
Capacity	12.0 cl
Brimfull capacity	12.0 cl
Height	47.5 mm
Diameter	69.2 mm
Shape	Round
Finish	Wide mouth
Label protection	No
Refillable	No
Weight	85 g
Country	France

PACKAGING SPECIFICATIONS

Containers per pallet	4752
Layers per pallet	18
Pallet width	1000 mm
Pallet depth	1200 mm
Pallet height	1055 mm
Gross weight of pallet	452.00 kg

i Other packaging specs are available upon request.



O-I Europe - 16 September 2024

The images, specifications and other data on this page are for information purposes only. The present information can in no way be used or interpreted as a technical drawing. Specific advice should be obtained from your O-I representative with regards to the suitability of products prior to any application. The information on industry containers is updated from time to time, however O-I reserves the right to amend the specifications or to withdraw certain containers from sale without notice.

www.o-i.com

www.glass-catalog.com

© 2024, O-I Glass, Inc