



FOOD  
COLLECTION



# SPREADS

An extensive selection of jars out of which gourmets will love sneaking spoonfuls.



# **PRESERVED FRUITS & VEGETABLES**

From 10cl to a gallon, every fruit and vegetable will find its jar.



# CONDIMENTS & TABLE SAUCES

A wide range of jars and bottles designed to make mouths water.



# COOKING SAUCES

A broad selection to best preserve these tasty sauces. Let's cook!



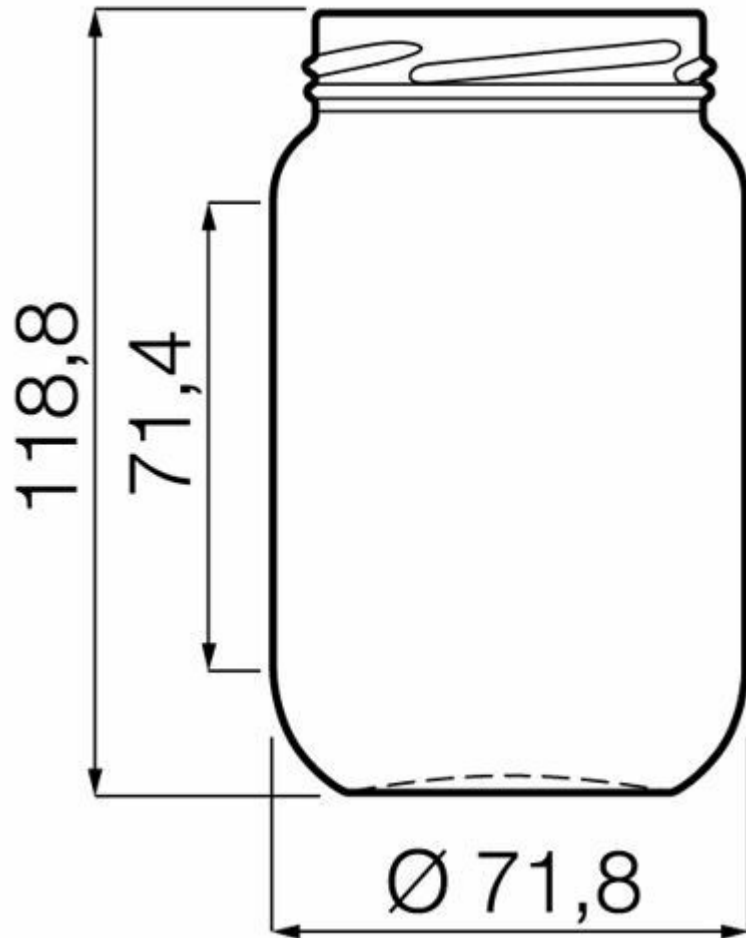
# 37CL POT NORMAL TO63

AVAILABLE COLORS



Flint

FLINT  
F3013465



#### TECHNICAL SPECIFICATIONS

|                   |            |
|-------------------|------------|
| Product code      | 013465     |
| Capacity          | 37.0 cl    |
| Brimfull capacity | 37.0 cl    |
| Height            | 118.8 mm   |
| Diameter          | 71.8 mm    |
| Shape             | Round      |
| Finish            | Wide mouth |
| Label protection  | No         |
| Refillable        | No         |
| Weight            | 160 g      |
| Country           | France     |

#### PACKAGING SPECIFICATIONS

|                        |           |
|------------------------|-----------|
| Containers per pallet  | 2048      |
| Layers per pallet      | 8         |
| Pallet width           | 1000 mm   |
| Pallet depth           | 1200 mm   |
| Pallet height          | 1130 mm   |
| Gross weight of pallet | 357.00 kg |

**i** Other packaging specs are available upon request.



O-I Europe - 10 January 2025

The images, specifications and other data on this page are for information purposes only. The present information can in no way be used or interpreted as a technical drawing. Specific advice should be obtained from your O-I representative with regards to the suitability of products prior to any application. The information on industry containers is updated from time to time, however O-I reserves the right to amend the specifications or to withdraw certain containers from sale without notice.

[www.o-i.com](http://www.o-i.com)

[www.glass-catalog.com](http://www.glass-catalog.com)

© 2025, O-I Glass, Inc