



FOOD
COLLECTION



SPREADS

An extensive selection of jars out of which gourmets will love sneaking spoonfuls.

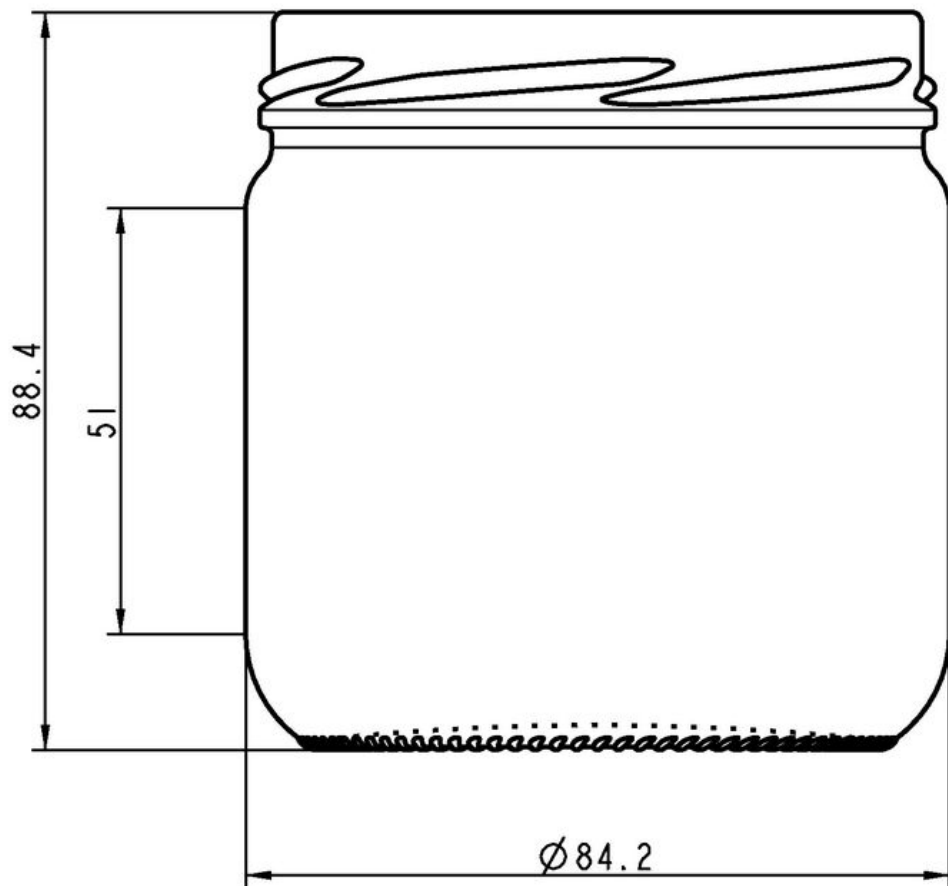


39CL POT CHONIG TO82

AVAILABLE COLORS



FLINT
F3013508



TECHNICAL SPECIFICATIONS

Product code	013508
Capacity	39.0 cl
Brimfull capacity	39.0 cl
Height	88.4 mm
Diameter	84.2 mm
Shape	Round
Finish	Wide mouth
Label protection	No
Refillable	No
Weight	180 g
Country	France

PACKAGING SPECIFICATIONS

Containers per pallet	1760
Layers per pallet	10
Pallet width	1000 mm
Pallet depth	1200 mm
Pallet height	1060 mm
Gross weight of pallet	347.00 kg

i Other packaging specs are available upon request.



O-I Europe - 10 January 2025

The images, specifications and other data on this page are for information purposes only. The present information can in no way be used or interpreted as a technical drawing. Specific advice should be obtained from your O-I representative with regards to the suitability of products prior to any application. The information on industry containers is updated from time to time, however O-I reserves the right to amend the specifications or to withdraw certain containers from sale without notice.

www.o-i.com

www.glass-catalog.com

© 2025, O-I Glass, Inc