



**NON-ALCOHOLIC BEVERAGES
COLLECTION**



CARBONATED SOFT DRINK

Capture the fizz and let your drink's character shine through our special range of bottles.



RTD TEA & COFFEE, ENERGY DRINKS

Dynamic shapes in smaller sizes.



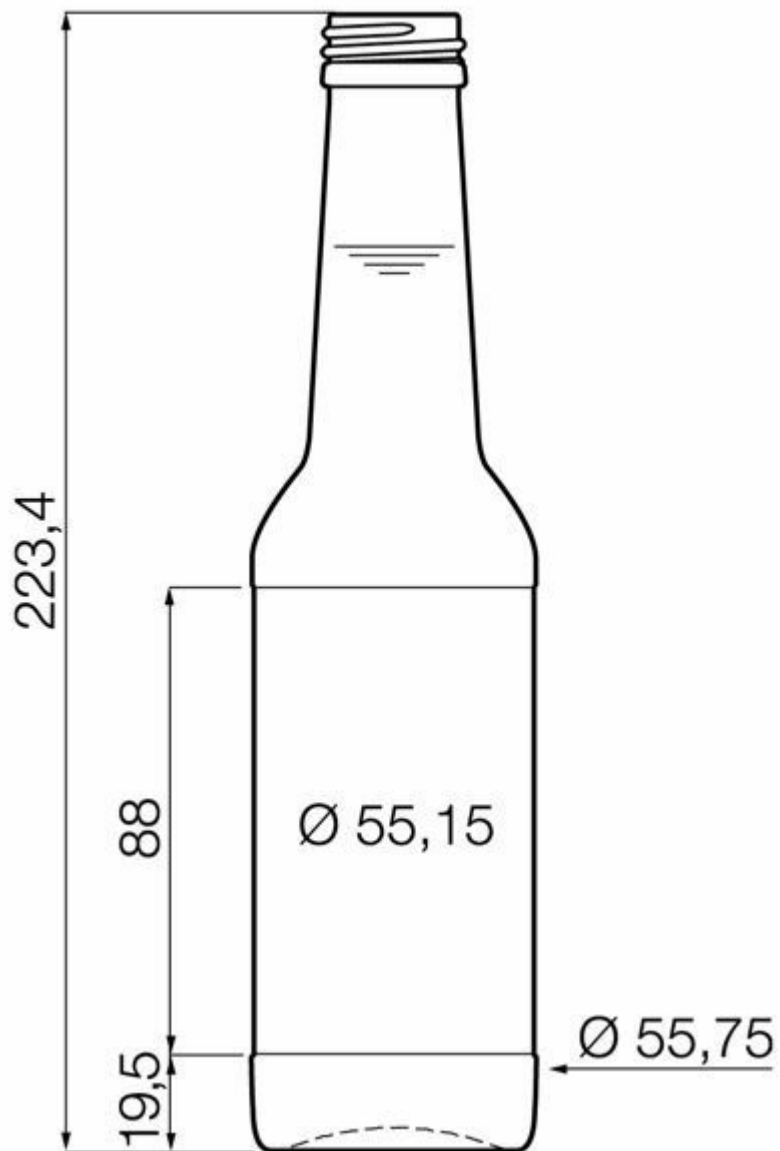


FLINT
F3014427

275ML ALCOPOP

AVAILABLE COLORS





TECHNICAL SPECIFICATIONS

Product code	014427
Capacity	27.5 cl
Brimfull capacity	29.0 cl
Height	223.4 mm
Diameter	55.8 mm
Shape	Round
Finish	Screw
Label protection	No
Refillable	No
Weight	190 g
Country	Estonia

PACKAGING SPECIFICATIONS

Containers per pallet	3360
Layers per pallet	8
Pallet width	1000 mm
Pallet depth	1200 mm
Pallet height	1950 mm
Gross weight of pallet	617.00 kg

i Other packaging specs are available upon request.



O-I Europe - 4 May 2026

The images, specifications and other data on this page are for information purposes only. The present information can in no way be used or interpreted as a technical drawing. Specific advice should be obtained from your O-I representative with regards to the suitability of products prior to any application. The information on industry containers is updated from time to time, however O-I reserves the right to amend the specifications or to withdraw certain containers from sale without notice.

www.o-i.com
www.glass-catalog.com

© 2026, O-I Glass, Inc