



FOOD
COLLECTION



PRESERVED FRUITS & VEGETABLES

From 10cl to a gallon, every fruit and vegetable will find its jar.



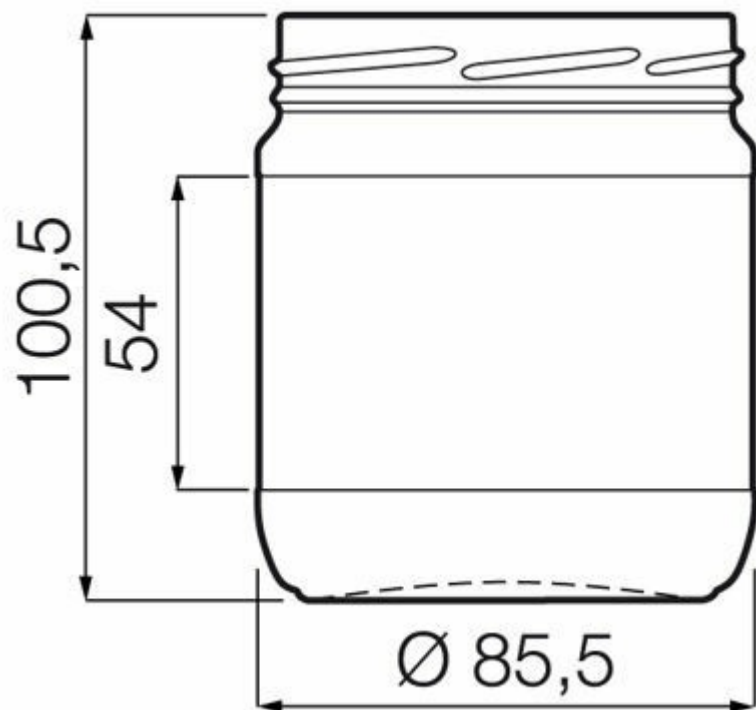
40CL JAR 30I-40I TO82

AVAILABLE COLORS



Flint

FLINT
F3014433



TECHNICAL SPECIFICATIONS

| | |
|-------------------|------------|
| Product code | 014433 |
| Capacity | 40.0 cl |
| Brimfull capacity | 44.0 cl |
| Height | 100.5 mm |
| Diameter | 85.5 mm |
| Shape | Round |
| Finish | Wide mouth |
| Label protection | Yes |
| Refillable | No |
| Weight | 240 g |
| Country | Estonia |

PACKAGING SPECIFICATIONS

| | |
|------------------------|-----------|
| Containers per pallet | 3042 |
| Layers per pallet | 18 |
| Pallet width | 1000 mm |
| Pallet depth | 1200 mm |
| Pallet height | 2010 mm |
| Gross weight of pallet | 763.00 kg |

i Other packaging specs are available upon request.



O-I Europe - 26 December 2024

The images, specifications and other data on this page are for information purposes only. The present information can in no way be used or interpreted as a technical drawing. Specific advice should be obtained from your O-I representative with regards to the suitability of products prior to any application. The information on industry containers is updated from time to time, however O-I reserves the right to amend the specifications or to withdraw certain containers from sale without notice.

www.o-i.com

www.glass-catalog.com

© 2024, O-I Glass, Inc