



FOOD
COLLECTION



BABY FOOD

Ensuring baby's first meals are safe and tasty with high quality jars.

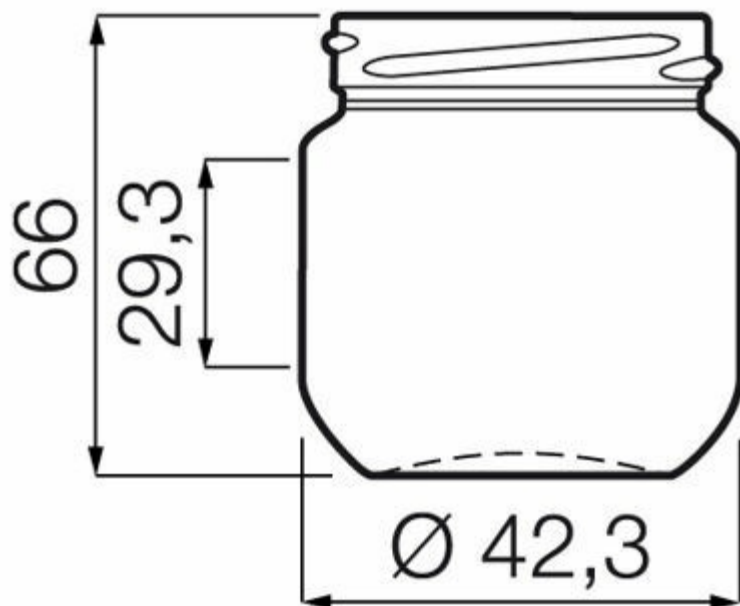


125ML JAR 309-125 TO58

AVAILABLE COLORS



FLINT
F3014850



TECHNICAL SPECIFICATIONS

Product code	014850
Capacity	12.5 cl
Brimfull capacity	14.5 cl
Height	66.0 mm
Diameter	62.0 mm
Shape	Rectangular
Finish	Wide mouth
Label protection	Yes
Refillable	No
Weight	95 g
Country	Estonia

PACKAGING SPECIFICATIONS

Containers per pallet	8512
Layers per pallet	28
Pallet width	1000 mm
Pallet depth	1200 mm
Pallet height	2070 mm
Gross weight of pallet	846.00 kg

i Other packaging specs are available upon request.



O-I Europe - 5 April 2026

The images, specifications and other data on this page are for information purposes only. The present information can in no way be used or interpreted as a technical drawing. Specific advice should be obtained from your O-I representative with regards to the suitability of products prior to any application. The information on industry containers is updated from time to time, however O-I reserves the right to amend the specifications or to withdraw certain containers from sale without notice.

www.o-i.com

www.glass-catalog.com

© 2026, O-I Glass, Inc