



01 A05 3041A



BEER
COLLECTION



SPECIALTY

Know-how and tradition through recognisable and trusted packaging.





AMBER BEER

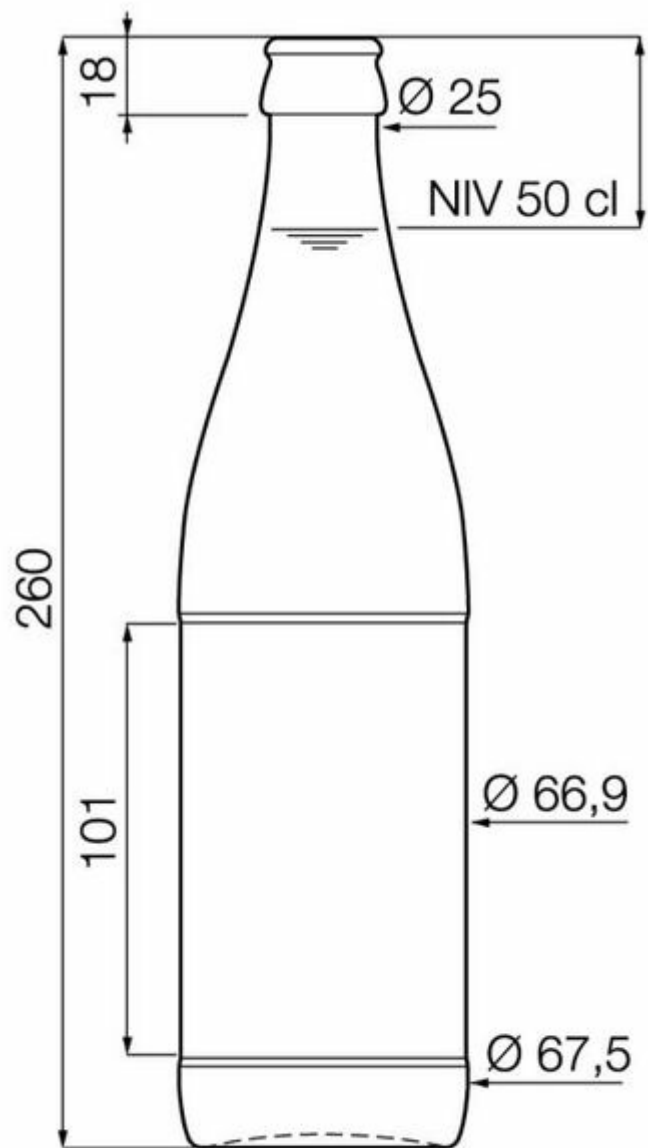
A1016062

50CL NRW-BIER

AVAILABLE COLORS



Amber beer



BOTTLE 18

TECHNICAL SPECIFICATIONS

Product code	016062
Capacity	50.0 cl
Brimfull capacity	52.0 cl
Height	260.0 mm
Diameter	67.5 mm
Shape	Round
Finish	Crown Cork
Label protection	No
Refillable	Yes
Weight	380 g
Country	Germany

PACKAGING SPECIFICATIONS

Containers per pallet	2023
Layers per pallet	7
Pallet width	1000 mm
Pallet depth	1200 mm
Pallet height	1978 mm
Gross weight of pallet	813.00 kg

i Other packaging specs are available upon request.



O-I Europe - 7 May 2026

The images, specifications and other data on this page are for information purposes only. The present information can in no way be used or interpreted as a technical drawing. Specific advice should be obtained from your O-I representative with regards to the suitability of products prior to any application. The information on industry containers is updated from time to time, however O-I reserves the right to amend the specifications or to withdraw certain containers from sale without notice.

www.o-i.com
www.glass-catalog.com

© 2026, O-I Glass, Inc