



**SPIRITS
COLLECTION**



OTHER SPIRITS

A selection of bottle designs in a variety of sizes, colors & finishes to find the perfect presentation of your brand.



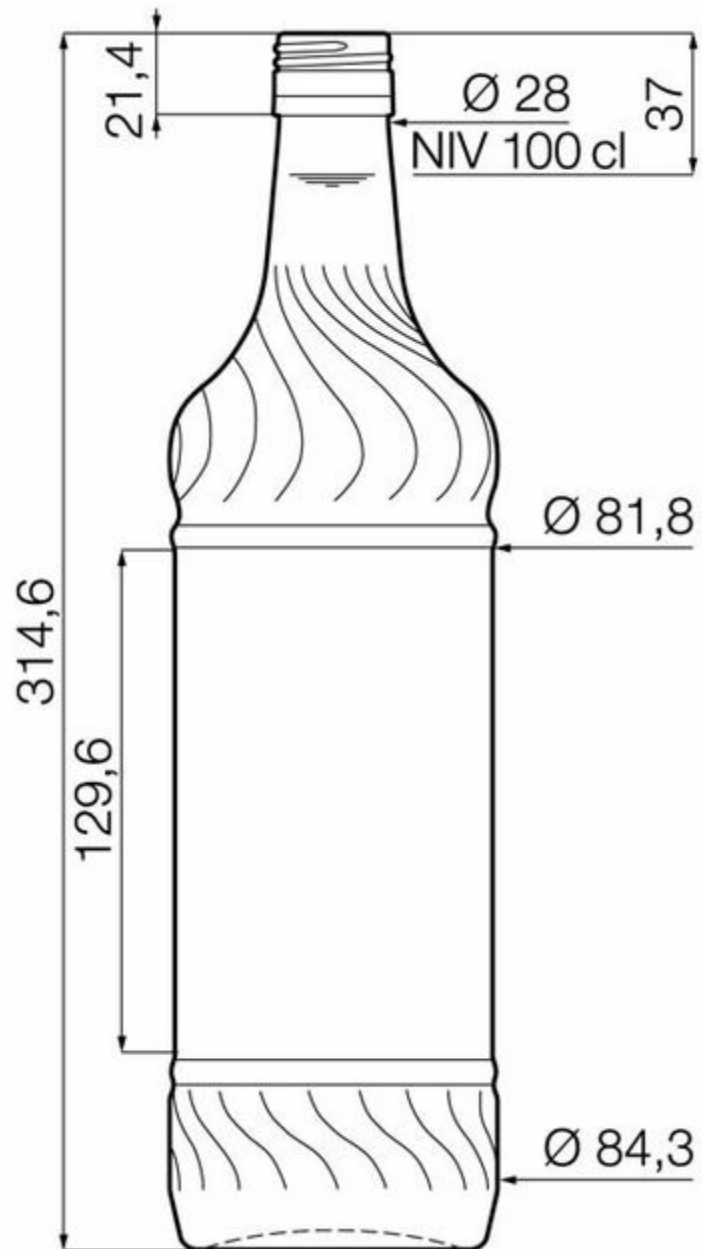
FLINT
F3016645

100CL ROMANOFF

AVAILABLE COLORS



Flint



TECHNICAL SPECIFICATIONS

Product code	016645
Capacity	100.0 cl
Brimfull capacity	101.3 cl
Height	314.6 mm
Diameter	84.3 mm
Shape	Round
Finish	Screw
Label protection	Yes
Refillable	No
Weight	580 g
Country	Germany

PACKAGING SPECIFICATIONS

Containers per pallet	1092
Layers per pallet	6
Pallet width	1000 mm
Pallet depth	1200 mm
Pallet height	2043 mm
Gross weight of pallet	670.00 kg

i Other packaging specs are available upon request.



O-I Europe - 5 April 2025

The images, specifications and other data on this page are for information purposes only. The present information can in no way be used or interpreted as a technical drawing. Specific advice should be obtained from your O-I representative with regards to the suitability of products prior to any application. The information on industry containers is updated from time to time, however O-I reserves the right to amend the specifications or to withdraw certain containers from sale without notice.

www.o-i.com

www.glass-catalog.com

© 2025, O-I Glass, Inc