



**SPIRITS
COLLECTION**



WHITE SPIRITS

From crafts looking to premium, our collection of bottles will sublime your spirit and offer accessible elegance.



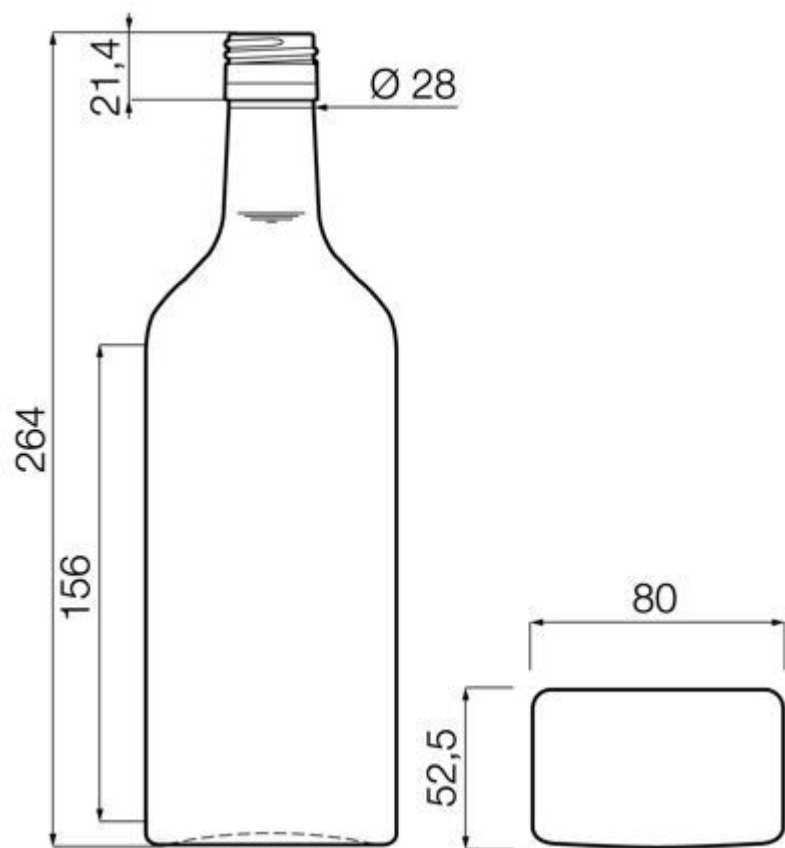
FLINT
F3017063

50CL KIRSCHWASSER

AVAILABLE COLORS



Flint



TECHNICAL SPECIFICATIONS

Product code	017063
Capacity	50.0 cl
Brimfull capacity	51.5 cl
Height	264.0 mm
Diameter	80.0 mm
Shape	Rectangular
Finish	Screw
Label protection	No
Refillable	No
Weight	585 g
Country	Germany

PACKAGING SPECIFICATIONS

Containers per pallet	1380
Layers per pallet	6
Pallet width	800 mm
Pallet depth	1200 mm
Pallet height	1734 mm
Gross weight of pallet	834.00 kg

i Other packaging specs are available upon request.



O-I Europe - 12 April 2026

The images, specifications and other data on this page are for information purposes only. The present information can in no way be used or interpreted as a technical drawing. Specific advice should be obtained from your O-I representative with regards to the suitability of products prior to any application. The information on industry containers is updated from time to time, however O-I reserves the right to amend the specifications or to withdraw certain containers from sale without notice.

www.o-i.com

www.glass-catalog.com

© 2026, O-I Glass, Inc