



**SPIRITS
COLLECTION**



LIQUEURS

A selection of shapes that underline the attributes of your product and make your brand stand out.

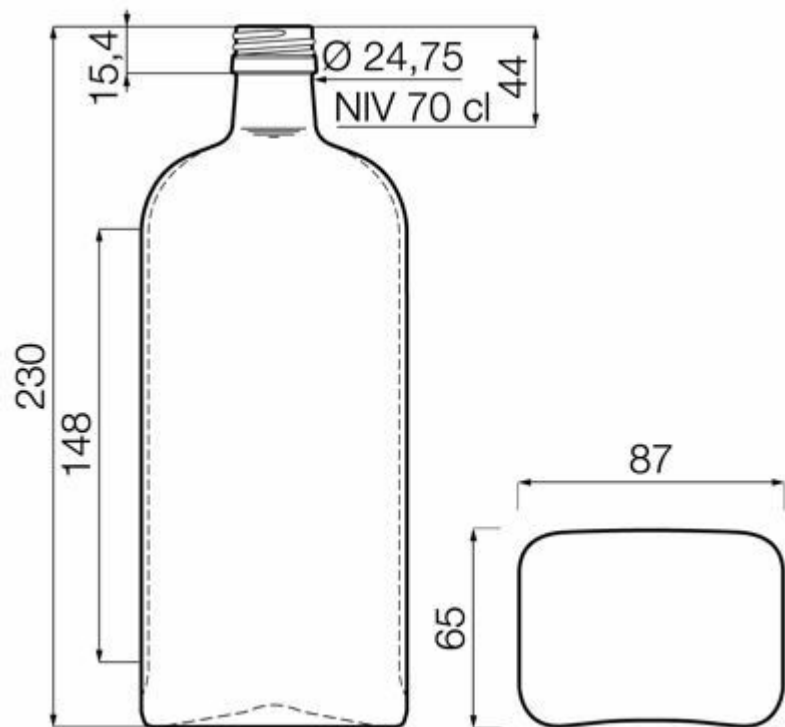


FLINT
F3017072

70CL LIKOER

AVAILABLE COLORS





TECHNICAL SPECIFICATIONS

| | |
|-------------------|-------------|
| Product code | 017072 |
| Capacity | 70.0 cl |
| Brimfull capacity | 71.5 cl |
| Height | 230.0 mm |
| Diameter | 87.0 mm |
| Shape | Rectangular |
| Finish | Screw |
| Label protection | No |
| Refillable | No |
| Weight | 630 g |
| Country | Germany |

PACKAGING SPECIFICATIONS

| | |
|------------------------|-----------|
| Containers per pallet | 1170 |
| Layers per pallet | 6 |
| Pallet width | 1000 mm |
| Pallet depth | 1200 mm |
| Pallet height | 1535 mm |
| Gross weight of pallet | 770.00 kg |

i Other packaging specs are available upon request.



O-I Europe - 30 March 2025

The images, specifications and other data on this page are for information purposes only. The present information can in no way be used or interpreted as a technical drawing. Specific advice should be obtained from your O-I representative with regards to the suitability of products prior to any application. The information on industry containers is updated from time to time, however O-I reserves the right to amend the specifications or to withdraw certain containers from sale without notice.

www.o-i.com

www.glass-catalog.com

© 2025, O-I Glass, Inc