



**SPIRITS  
COLLECTION**



# WHISKIES

A range of designs to help you highlight the unique character of your product.



# WHITE SPIRITS

From crafts looking to premium, our collection of bottles will sublime your spirit and offer accessible elegance.



# OTHER SPIRITS

A selection of bottle designs in a variety of sizes, colors & finishes to find the perfect presentation of your brand.



## 2CL KRUG

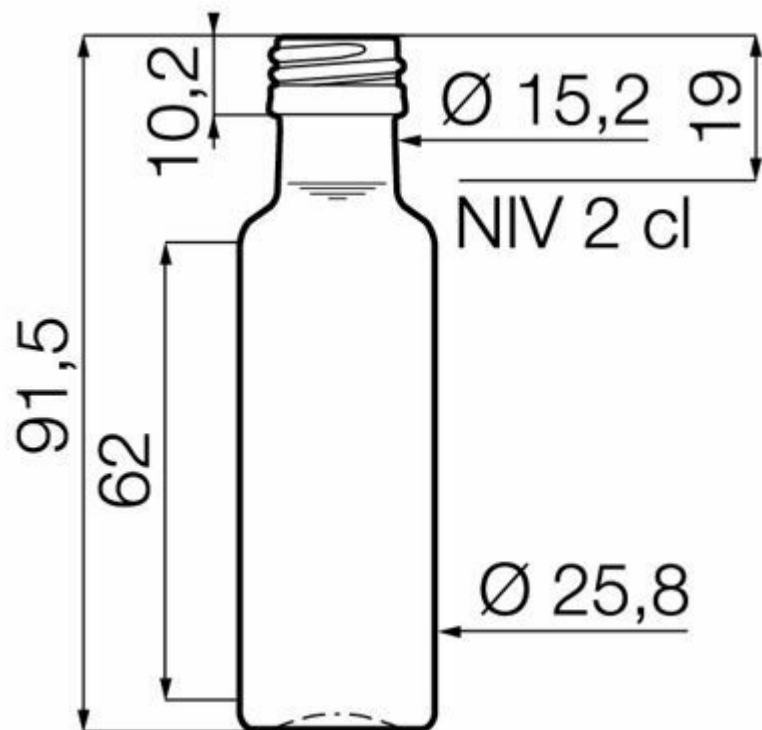
AVAILABLE COLORS



Flint

FLINT

F3017261



### TECHNICAL SPECIFICATIONS

Product code	017261
Capacity	2.0 cl
Brimfull capacity	2.2 cl
Height	91.5 mm
Diameter	25.8 mm
Shape	Round
Finish	Screw
Label protection	No
Refillable	No
Weight	45 g
Country	Germany

### PACKAGING SPECIFICATIONS

Containers per pallet	18144
Layers per pallet	12
Pallet width	800 mm
Pallet depth	1200 mm
Pallet height	1302 mm
Gross weight of pallet	856.00 kg

**i** Other packaging specs are available upon request.



O-I Europe - 23 May 2026

The images, specifications and other data on this page are for information purposes only. The present information can in no way be used or interpreted as a technical drawing. Specific advice should be obtained from your O-I representative with regards to the suitability of products prior to any application. The information on industry containers is updated from time to time, however O-I reserves the right to amend the specifications or to withdraw certain containers from sale without notice.

[www.o-i.com](http://www.o-i.com)  
[www.glass-catalog.com](http://www.glass-catalog.com)

© 2026, O-I Glass, Inc