



**SPIRITS
COLLECTION**



WHISKIES

A range of designs to help you highlight the unique character of your product.



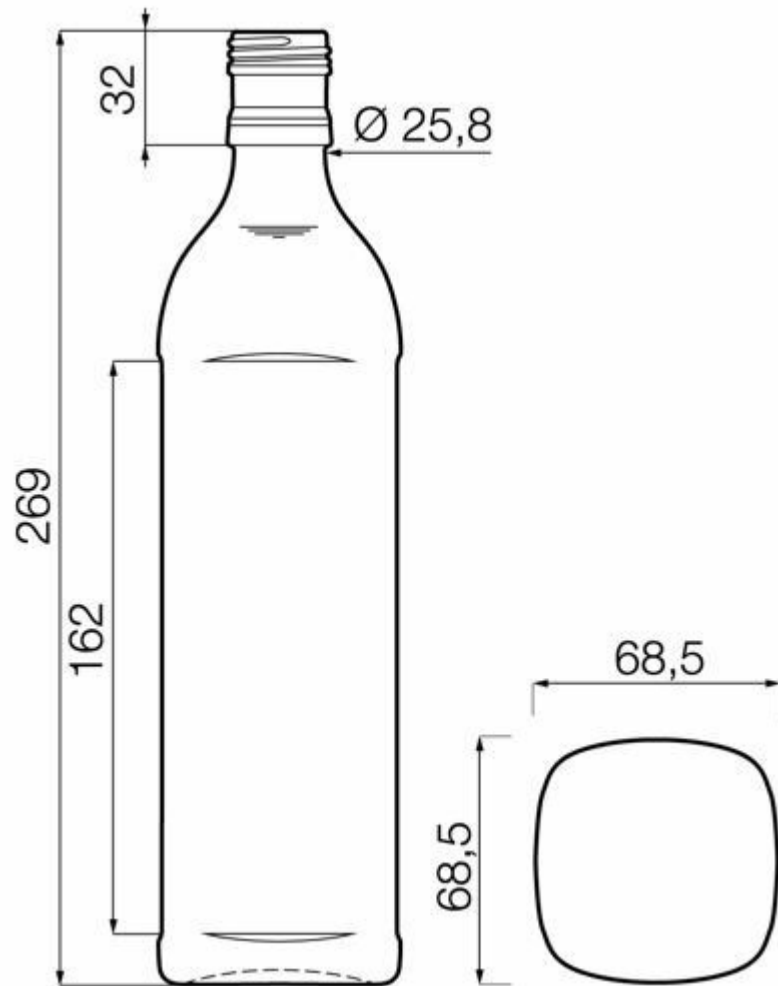
FLINT
F3017349

70CL VIERKANT

AVAILABLE COLORS



Flint



TECHNICAL SPECIFICATIONS

Product code	017349
Capacity	70.0 cl
Brimfull capacity	72.0 cl
Height	269.0 mm
Diameter	68.5 mm
Shape	Special
Finish	Screw
Label protection	No
Refillable	No
Weight	450 g
Country	Germany

PACKAGING SPECIFICATIONS

Containers per pallet	1666
Layers per pallet	7
Pallet width	1000 mm
Pallet depth	1200 mm
Pallet height	2033 mm
Gross weight of pallet	783.00 kg

i Other packaging specs are available upon request.



O-I Europe - 27 March 2025

The images, specifications and other data on this page are for information purposes only. The present information can in no way be used or interpreted as a technical drawing. Specific advice should be obtained from your O-I representative with regards to the suitability of products prior to any application. The information on industry containers is updated from time to time, however O-I reserves the right to amend the specifications or to withdraw certain containers from sale without notice.

www.o-i.com

www.glass-catalog.com

© 2025, O-I Glass, Inc