



**SPIRITS
COLLECTION**



WHISKIES

A range of designs to help you highlight the unique character of your product.



WHITE SPIRITS

From crafts looking to premium, our collection of bottles will sublime your spirit and offer accessible elegance.



OTHER SPIRITS

A selection of bottle designs in a variety of sizes, colors & finishes to find the perfect presentation of your brand.



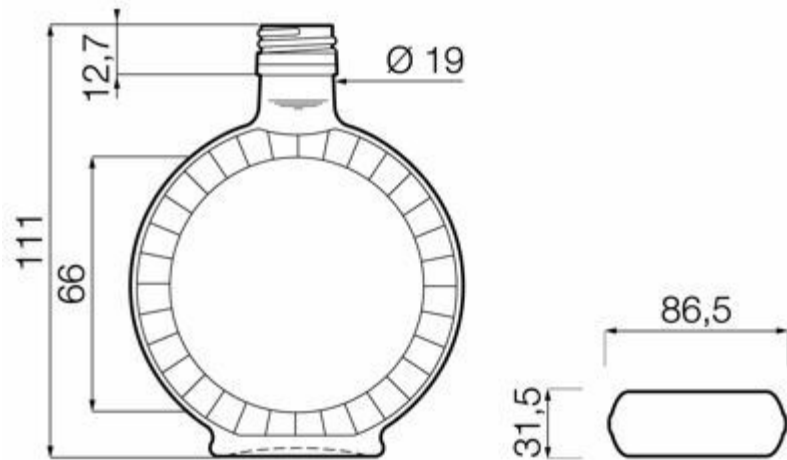
FLINT
F3017704

10CL SLIVOVITZ

AVAILABLE COLORS



Flint



TECHNICAL SPECIFICATIONS

Product code	017704
Capacity	10.0 cl
Brimfull capacity	10.5 cl
Height	111.0 mm
Diameter	86.5 mm
Shape	Special
Finish	Screw
Label protection	No
Refillable	No
Weight	160 g
Country	Germany

PACKAGING SPECIFICATIONS

Containers per pallet	5525
Layers per pallet	13
Pallet width	1000 mm
Pallet depth	1200 mm
Pallet height	1600 mm
Gross weight of pallet	925.00 kg

i Other packaging specs are available upon request.



O-I Europe - 13 April 2026

The images, specifications and other data on this page are for information purposes only. The present information can in no way be used or interpreted as a technical drawing. Specific advice should be obtained from your O-I representative with regards to the suitability of products prior to any application. The information on industry containers is updated from time to time, however O-I reserves the right to amend the specifications or to withdraw certain containers from sale without notice.

www.o-i.com
www.glass-catalog.com

© 2026, O-I Glass, Inc