



FOOD
COLLECTION



PRESERVED FRUITS & VEGETABLES

From 10cl to a gallon, every fruit and vegetable will find its jar.



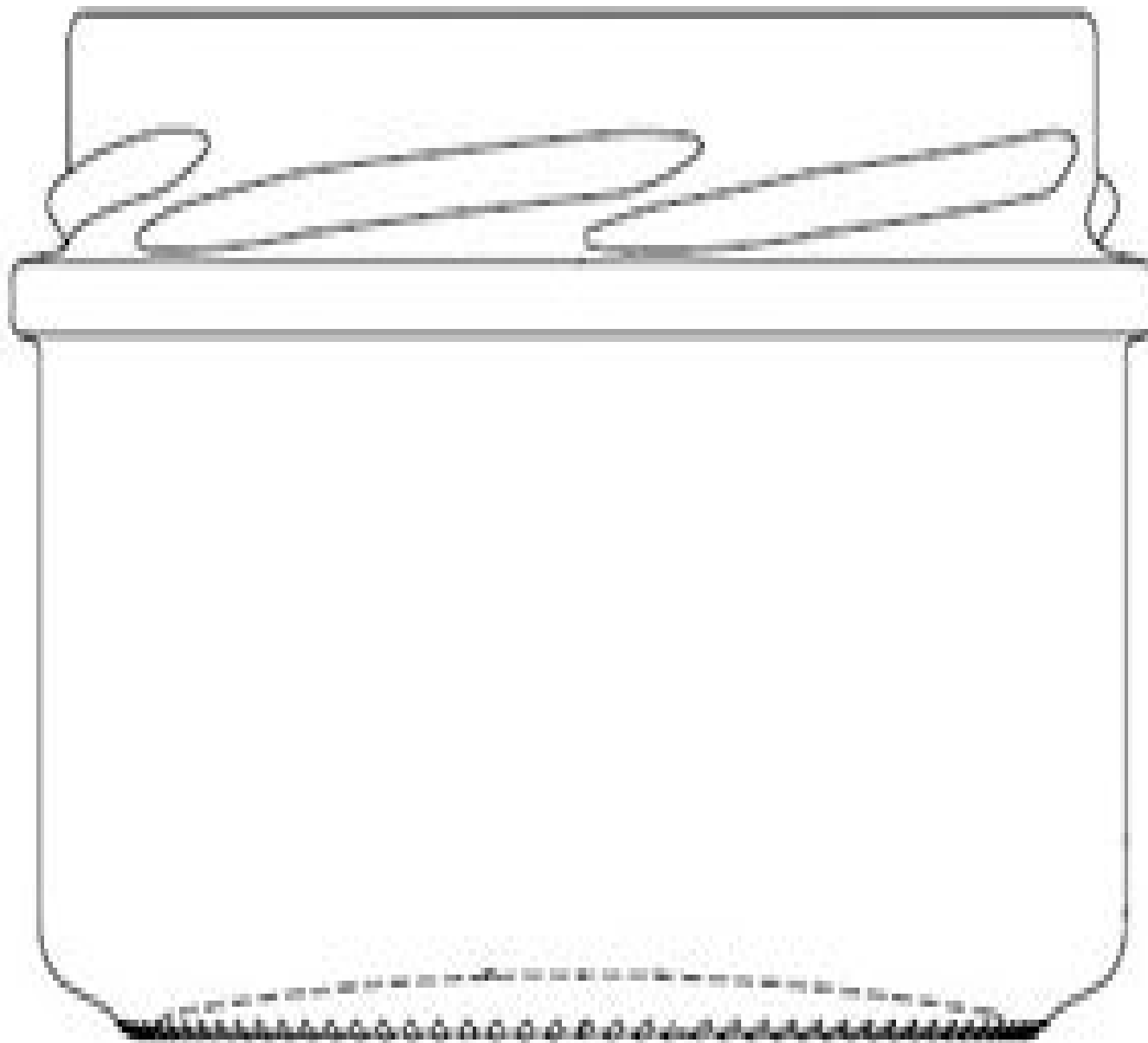
CONDIMENTS & TABLE SAUCES

A wide range of jars and bottles designed to make mouths water.



COOKING SAUCES

A broad selection to best preserve these tasty sauces. Let's cook!

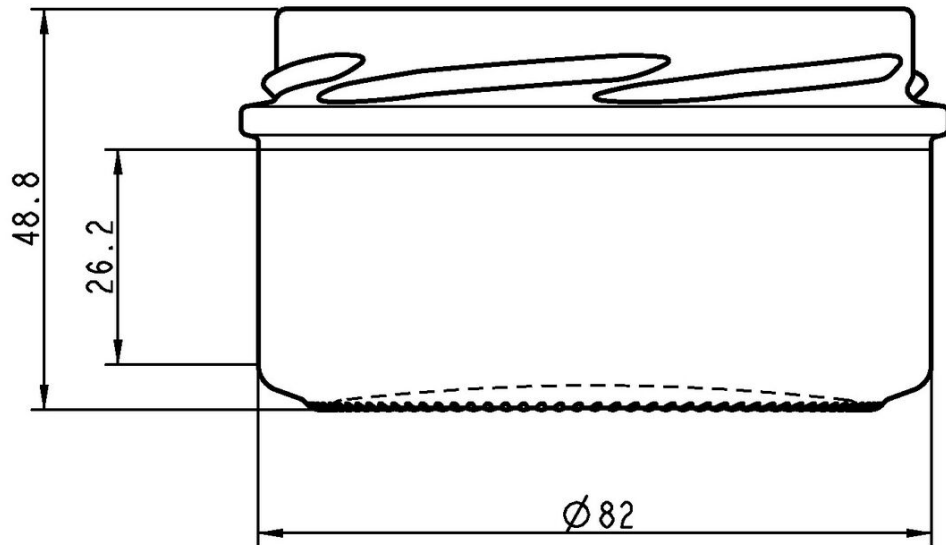


19CL POT STD TO 82

AVAILABLE COLORS



Flint



TECHNICAL SPECIFICATIONS

Product code	100294
Capacity	19.0 cl
Brimfull capacity	19.0 cl
Height	48.8 mm
Diameter	86.2 mm
Shape	Round
Finish	Wide mouth
Label protection	No
Refillable	No
Weight	130 g
Country	France

PACKAGING SPECIFICATIONS

Containers per pallet	3549
Layers per pallet	21
Pallet width	1000 mm
Pallet depth	1200 mm
Pallet height	1245 mm
Gross weight of pallet	499.00 kg

i Other packaging specs are available upon request.



O-I Europe - 10 January 2025

The images, specifications and other data on this page are for information purposes only. The present information can in no way be used or interpreted as a technical drawing. Specific advice should be obtained from your O-I representative with regards to the suitability of products prior to any application. The information on industry containers is updated from time to time, however O-I reserves the right to amend the specifications or to withdraw certain containers from sale without notice.

www.o-i.com

www.glass-catalog.com

© 2025, O-I Glass, Inc