



FOOD
COLLECTION



PRESERVED FRUITS & VEGETABLES

From 10cl to a gallon, every fruit and vegetable will find its jar.



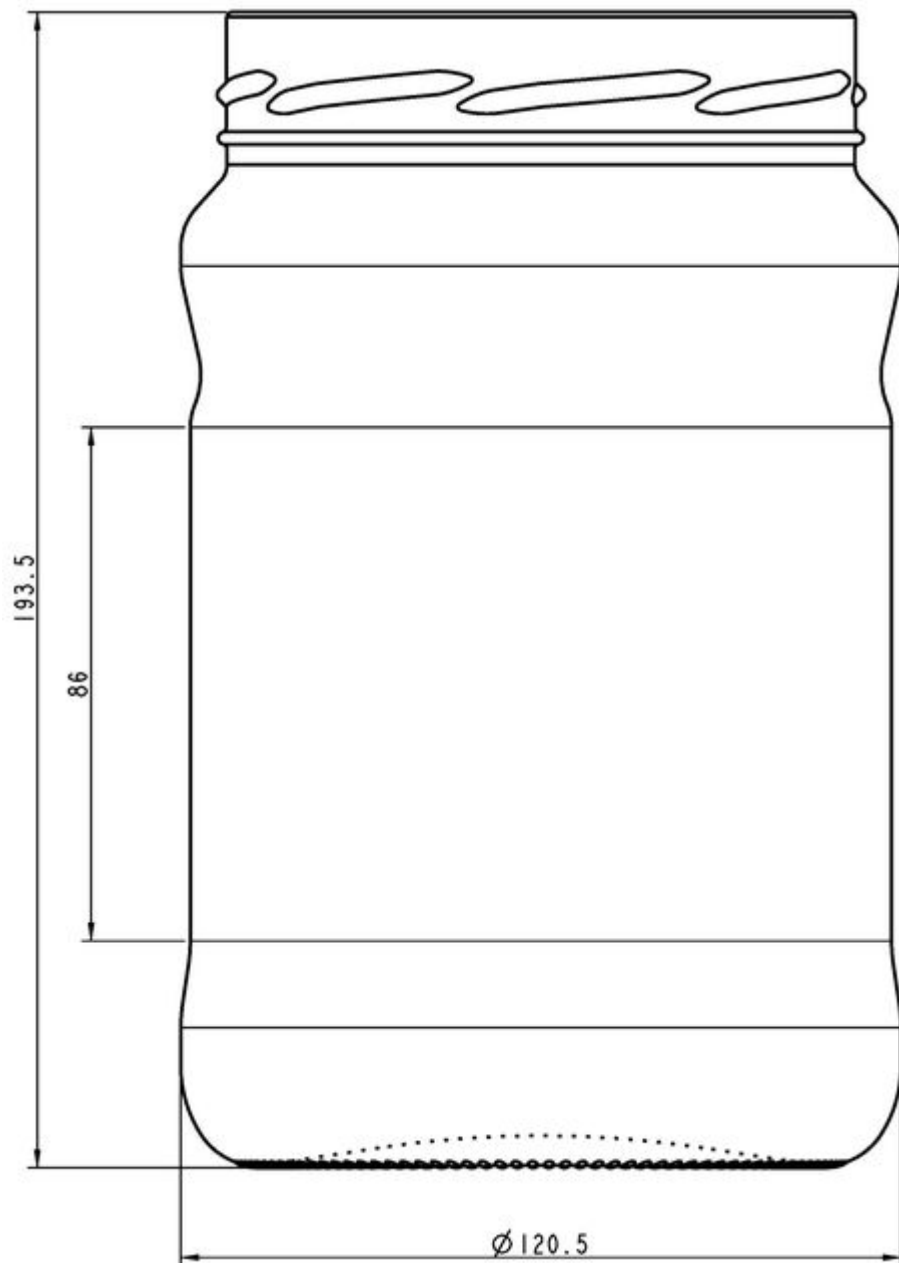
170CL V.SAGOMI TOIIO

AVAILABLE COLORS



Flint

FLINT
F3160106



TECHNICAL SPECIFICATIONS

Product code	160106
Capacity	170.0 cl
Brimfull capacity	170.0 cl
Height	193.5 mm
Diameter	120.5 mm
Shape	Round
Finish	Wide mouth
Label protection	No
Refillable	No
Weight	750 g
Country	Italy

PACKAGING SPECIFICATIONS

Containers per pallet	860
Layers per pallet	10
Pallet width	1000 mm
Pallet depth	1200 mm
Pallet height	2113 mm
Gross weight of pallet	685.00 kg

i Other packaging specs are available upon request.



O-I Europe - 30 March 2025

The images, specifications and other data on this page are for information purposes only. The present information can in no way be used or interpreted as a technical drawing. Specific advice should be obtained from your O-I representative with regards to the suitability of products prior to any application. The information on industry containers is updated from time to time, however O-I reserves the right to amend the specifications or to withdraw certain containers from sale without notice.

www.o-i.com

www.glass-catalog.com

© 2025, O-I Glass, Inc