



FOOD
COLLECTION



PRESERVED MEAT & FISH

Simple, transparent – let the product speak for itself.



50CL FISH TO82

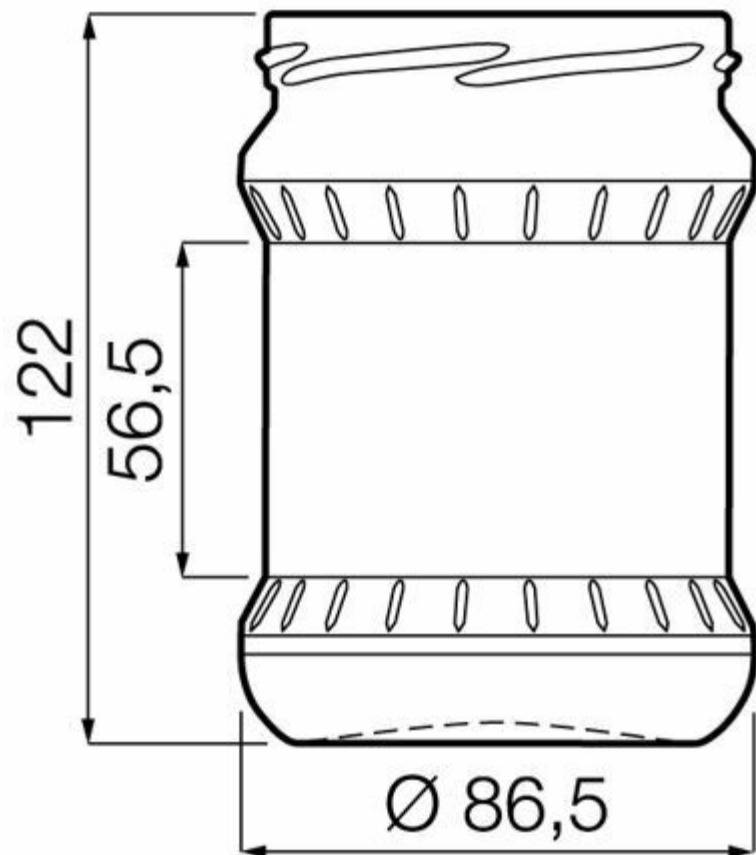
AVAILABLE COLORS



Flint

FLINT

F3006138



TECHNICAL SPECIFICATIONS

Product code	006138
Capacity	50.0 cl
Brimfull capacity	50.0 cl
Height	122.0 mm
Diameter	86.5 mm
Shape	Facetted
Finish	Wide mouth
Label protection	No
Refillable	No
Weight	250 g
Country	Poland

PACKAGING SPECIFICATIONS

Containers per pallet	2535
Layers per pallet	15
Pallet width	1000 mm
Pallet depth	1200 mm
Pallet height	2006 mm
Gross weight of pallet	667.00 kg

i Other packaging specs are available upon request.



O-I Europe - 11 December 2024

The images, specifications and other data on this page are for information purposes only. The present information can in no way be used or interpreted as a technical drawing. Specific advice should be obtained from your O-I representative with regards to the suitability of products prior to any application. The information on industry containers is updated from time to time, however O-I reserves the right to amend the specifications or to withdraw certain containers from sale without notice.

www.o-i.com

www.glass-catalog.com

© 2024, O-I Glass, Inc