



**FOOD
COLLECTION**



PRESERVED FRUITS & VEGETABLES

From 10cl to a gallon, every fruit and vegetable will find its jar.





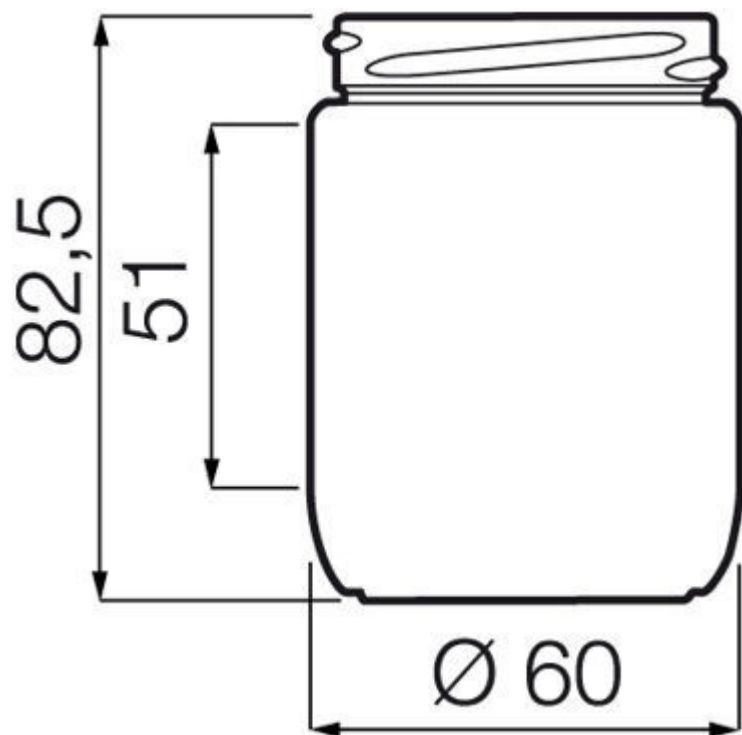
155ML JAR 310-155 TO58

AVAILABLE COLORS

 Flint

FLINT
F3014259





TECHNICAL SPECIFICATIONS

Product code	014259
Capacity	15.5 cl
Brimfull capacity	17.2 cl
Height	82.5 mm
Diameter	60.0 mm
Shape	Round
Finish	Wide mouth
Label protection	Yes
Refillable	No
Weight	114 g
Country	Estonia

PACKAGING SPECIFICATIONS

Containers per pallet	3610
Layers per pallet	10
Pallet width	1000 mm
Pallet depth	1200 mm
Pallet height	1000 mm
Gross weight of pallet	440.00 kg

i Other packaging specs are available upon request.

