



FOOD
COLLECTION



SPREADS

An extensive selection of jars out of which gourmets will love sneaking spoonfuls.



CONDIMENTS & TABLE SAUCES

A wide range of jars and bottles designed to make mouths water.



PRESERVED MEAT & FISH

Simple, transparent – let the product speak for itself.



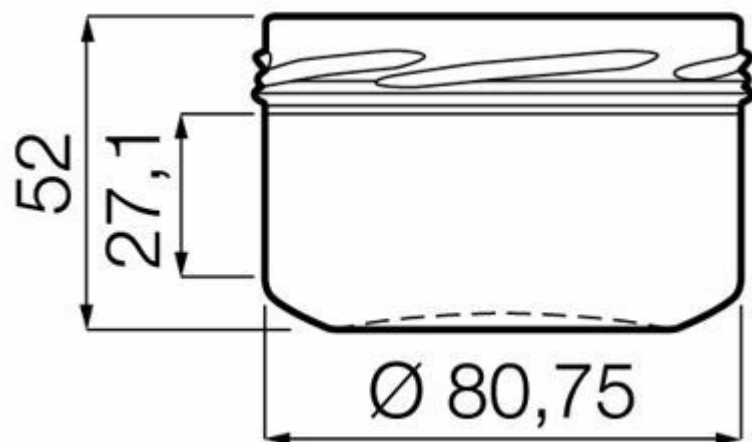
I9CL VERRINE TO82

AVAILABLE COLORS



Flint

FLINT
F3013383



TECHNICAL SPECIFICATIONS

Product code	013383
Capacity	19.0 cl
Brimfull capacity	19.0 cl
Height	51.5 mm
Diameter	82.0 mm
Shape	Round
Finish	Wide mouth
Label protection	No
Refillable	No
Weight	115 g
Country	France

PACKAGING SPECIFICATIONS

Containers per pallet	3724
Layers per pallet	19
Pallet width	1000 mm
Pallet depth	1200 mm
Pallet height	1170 mm
Gross weight of pallet	465.00 kg

i Other packaging specs are available upon request.



O-I Europe - 10 January 2025

The images, specifications and other data on this page are for information purposes only. The present information can in no way be used or interpreted as a technical drawing. Specific advice should be obtained from your O-I representative with regards to the suitability of products prior to any application. The information on industry containers is updated from time to time, however O-I reserves the right to amend the specifications or to withdraw certain containers from sale without notice.

www.o-i.com

www.glass-catalog.com

© 2025, O-I Glass, Inc