



FOOD  
COLLECTION



# SPREADS

An extensive selection of jars out of which gourmets will love sneaking spoonfuls.



# **PRESERVED FRUITS & VEGETABLES**

From 10cl to a gallon, every fruit and vegetable will find its jar.



# CONDIMENTS & TABLE SAUCES

A wide range of jars and bottles designed to make mouths water.



# COOKING SAUCES

A broad selection to best preserve these tasty sauces. Let's cook!



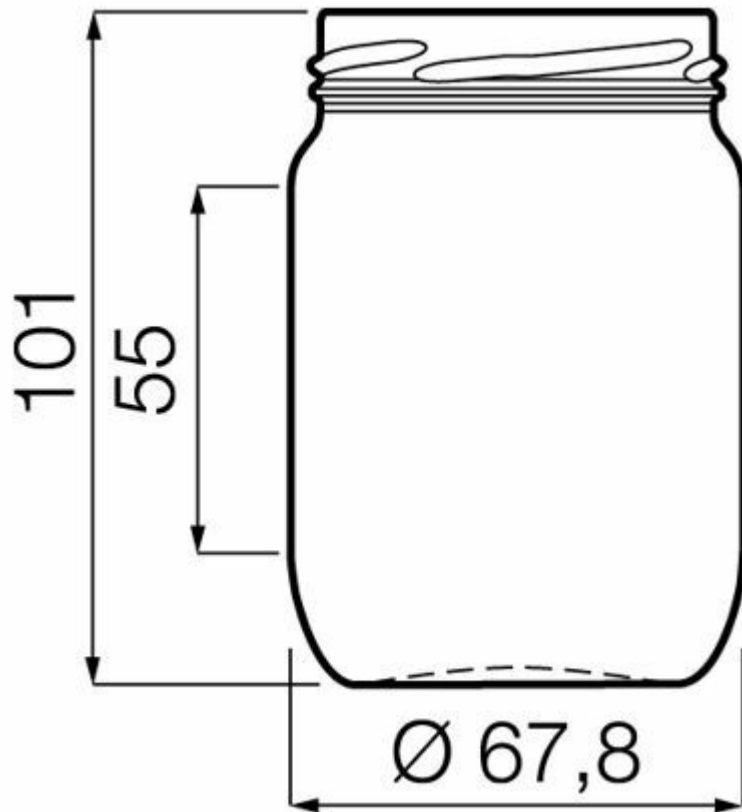
FLINT  
F3013456

## 28CL POT TO63

AVAILABLE COLORS



Flint



## TECHNICAL SPECIFICATIONS

Product code	013456
Capacity	28.0 cl
Brimfull capacity	28.0 cl
Height	101.0 mm
Diameter	67.8 mm
Shape	Round
Finish	Wide mouth
Label protection	No
Refillable	No
Weight	138 g
Country	France

## PACKAGING SPECIFICATIONS

Containers per pallet	2720
Layers per pallet	10
Pallet width	1000 mm
Pallet depth	1200 mm
Pallet height	1180 mm
Gross weight of pallet	421.00 kg

**i** Other packaging specs are available upon request.



O-I Europe - 11 April 2025

The images, specifications and other data on this page are for information purposes only. The present information can in no way be used or interpreted as a technical drawing. Specific advice should be obtained from your O-I representative with regards to the suitability of products prior to any application. The information on industry containers is updated from time to time, however O-I reserves the right to amend the specifications or to withdraw certain containers from sale without notice.

[www.o-i.com](http://www.o-i.com)

[www.glass-catalog.com](http://www.glass-catalog.com)

© 2025, O-I Glass, Inc