



FOOD
COLLECTION



SPREADS

An extensive selection of jars out of which gourmets will love sneaking spoonfuls.



PRESERVED FRUITS & VEGETABLES

From 10cl to a gallon, every fruit and vegetable will find its jar.



CONDIMENTS & TABLE SAUCES

A wide range of jars and bottles designed to make mouths water.



COOKING SAUCES

A broad selection to best preserve these tasty sauces. Let's cook!



385ML POT MIEL TO63

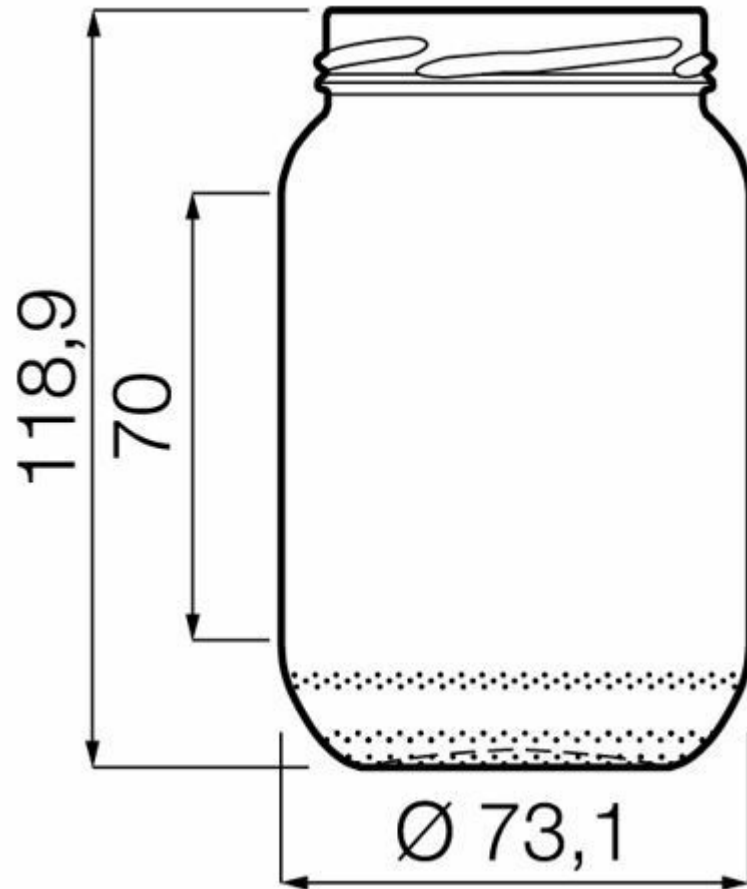
AVAILABLE COLORS



Flint

FLINT

F3013469



TECHNICAL SPECIFICATIONS

Product code	013469
Capacity	38.5 cl
Brimfull capacity	38.5 cl
Height	118.7 mm
Diameter	73.1 mm
Shape	Round
Finish	Wide mouth
Label protection	No
Refillable	No
Weight	165 g
Country	France

PACKAGING SPECIFICATIONS

Containers per pallet	2160
Layers per pallet	9
Pallet width	1000 mm
Pallet depth	1200 mm
Pallet height	1252 mm
Gross weight of pallet	386.00 kg

i Other packaging specs are available upon request.



O-I Europe - 14 April 2025

The images, specifications and other data on this page are for information purposes only. The present information can in no way be used or interpreted as a technical drawing. Specific advice should be obtained from your O-I representative with regards to the suitability of products prior to any application. The information on industry containers is updated from time to time, however O-I reserves the right to amend the specifications or to withdraw certain containers from sale without notice.

www.o-i.com

www.glass-catalog.com

© 2025, O-I Glass, Inc