



**NON-ALCOHOLIC BEVERAGES
COLLECTION**



JUICES & SMOOTHIES

All the benefits of fruits and vegetables captured in the healthiest packaging.





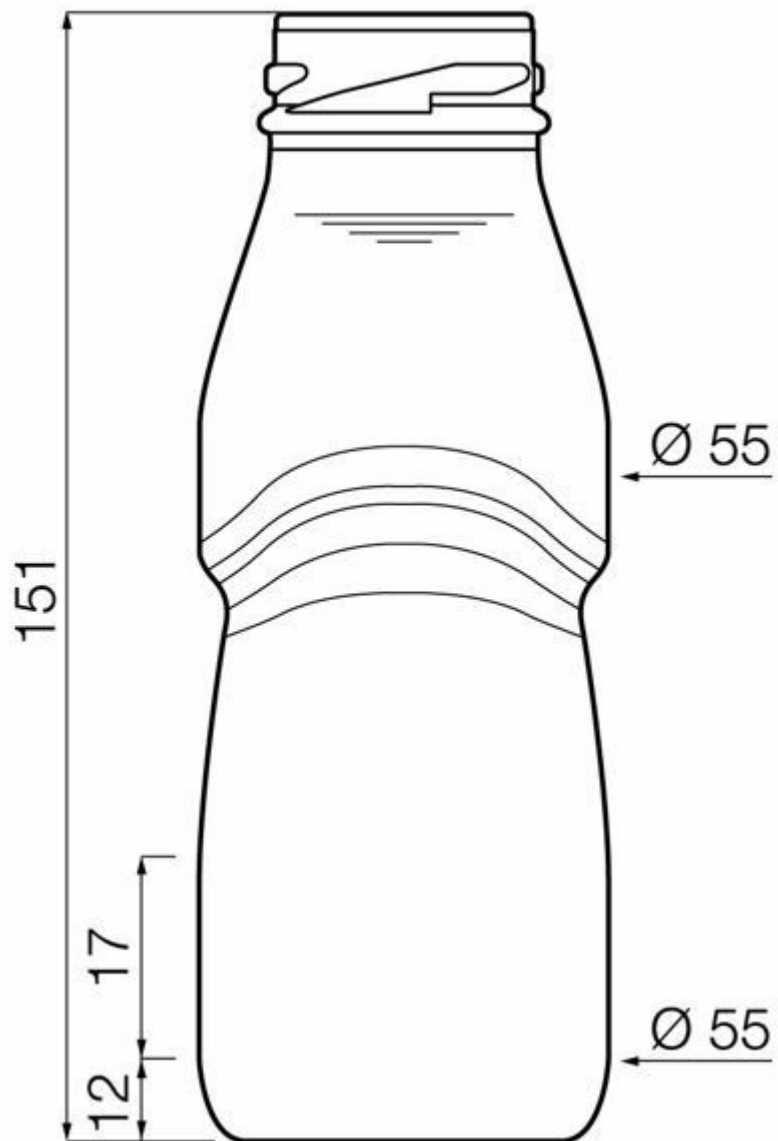
FLINT
F3022286

20CL NON PRES DRINKS

AVAILABLE COLORS



Flint



TECHNICAL SPECIFICATIONS

Product code	022286
Capacity	20.0 cl
Brimfull capacity	22.0 cl
Height	151.0 mm
Diameter	20.0 mm
Shape	Round
Finish	Wide mouth
Label protection	No
Refillable	Yes
Weight	174 g
Country	Hungary

PACKAGING SPECIFICATIONS

Containers per pallet	3696
Layers per pallet	11
Pallet width	800 mm
Pallet depth	1200 mm
Pallet height	1826 mm
Gross weight of pallet	678.00 kg

i Other packaging specs are available upon request.



O-I Europe - 16 December 2025

The images, specifications and other data on this page are for information purposes only. The present information can in no way be used or interpreted as a technical drawing. Specific advice should be obtained from your O-I representative with regards to the suitability of products prior to any application. The information on industry containers is updated from time to time, however O-I reserves the right to amend the specifications or to withdraw certain containers from sale without notice.

www.o-i.com

www.glass-catalog.com

© 2025, O-I Glass, Inc