



FOOD  
COLLECTION



# DAIRY

Enjoying a creamy yogurt straight from the fridge or the pure taste of milk in glass...



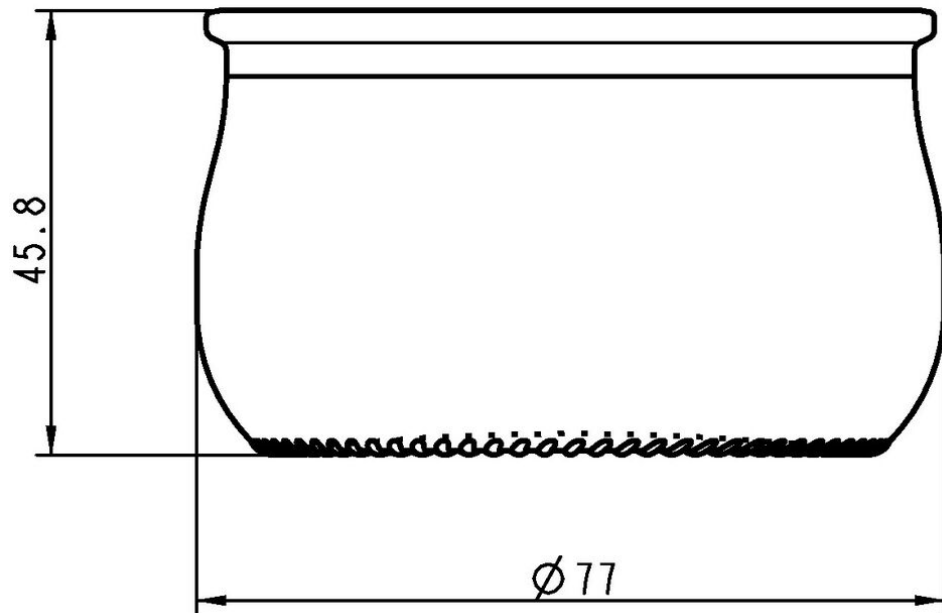
## **15CL POT SWEET**

AVAILABLE COLORS



Flint

FLINT  
F3140471



### TECHNICAL SPECIFICATIONS

Product code	140471
Capacity	15.0 cl
Brimfull capacity	15.0 cl
Height	45.8 mm
Diameter	77.0 mm
Shape	Round
Finish	Special
Label protection	Yes
Refillable	No
Weight	100 g
Country	France

### PACKAGING SPECIFICATIONS

Containers per pallet	4950
Layers per pallet	22
Pallet width	1000 mm
Pallet depth	1200 mm
Pallet height	1207 mm
Gross weight of pallet	520.00 kg

**i** Other packaging specs are available upon request.



O-I Europe - 11 April 2025

The images, specifications and other data on this page are for information purposes only. The present information can in no way be used or interpreted as a technical drawing. Specific advice should be obtained from your O-I representative with regards to the suitability of products prior to any application. The information on industry containers is updated from time to time, however O-I reserves the right to amend the specifications or to withdraw certain containers from sale without notice.

[www.o-i.com](http://www.o-i.com)

[www.glass-catalog.com](http://www.glass-catalog.com)

© 2025, O-I Glass, Inc