



01 A05 3041A



BEER
COLLECTION



LAGER

A trusted taste bottled in a singular design.



AMBER BEER

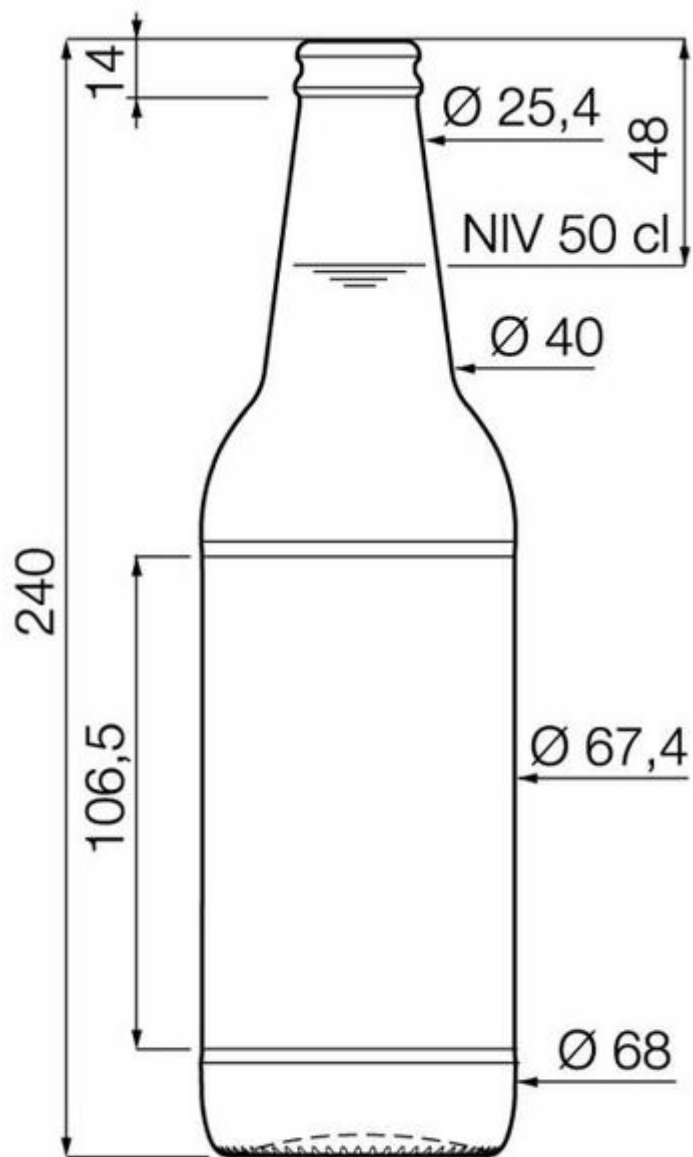
A1006160

50CL PIWO NR

AVAILABLE COLORS



Amber beer



BOTTLE 16

TECHNICAL SPECIFICATIONS

| | |
|-------------------|------------|
| Product code | 006160 |
| Capacity | 50.0 cl |
| Brimfull capacity | 52.0 cl |
| Height | 240.0 mm |
| Diameter | 68.0 mm |
| Shape | Round |
| Finish | Crown Cork |
| Label protection | No |
| Refillable | No |
| Weight | 245 g |
| Country | Poland |

PACKAGING SPECIFICATIONS

| | |
|------------------------|-----------|
| Containers per pallet | 1904 |
| Layers per pallet | 7 |
| Pallet width | 1000 mm |
| Pallet depth | 1200 mm |
| Pallet height | 1838 mm |
| Gross weight of pallet | 501.00 kg |

i Other packaging specs are available upon request.



O-I Europe - 27 May 2026

The images, specifications and other data on this page are for information purposes only. The present information can in no way be used or interpreted as a technical drawing. Specific advice should be obtained from your O-I representative with regards to the suitability of products prior to any application. The information on industry containers is updated from time to time, however O-I reserves the right to amend the specifications or to withdraw certain containers from sale without notice.

www.o-i.com
www.glass-catalog.com

© 2026, O-I Glass, Inc