



FOOD
COLLECTION



CONDIMENTS & TABLE SAUCES

A wide range of jars and bottles designed to make mouths water.



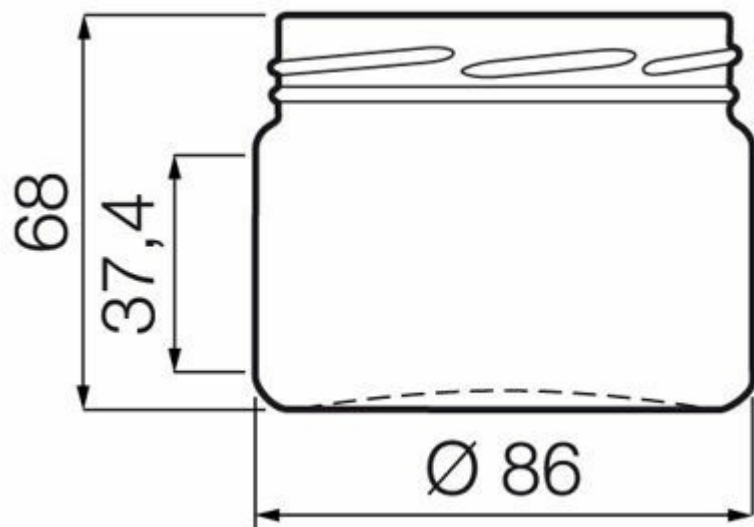
25CL JAR 310-250 TO82

AVAILABLE COLORS



Flint

FLINT
F3014442



TECHNICAL SPECIFICATIONS

Product code	014442
Capacity	25.0 cl
Brimfull capacity	30.0 cl
Height	68.0 mm
Diameter	86.0 mm
Shape	Round
Finish	Wide mouth
Label protection	Yes
Refillable	No
Weight	180 g
Country	Estonia

PACKAGING SPECIFICATIONS

Containers per pallet	4394
Layers per pallet	26
Pallet width	1000 mm
Pallet depth	1200 mm
Pallet height	2000 mm
Gross weight of pallet	827.00 kg

i Other packaging specs are available upon request.



O-I Europe - 27 June 2026

The images, specifications and other data on this page are for information purposes only. The present information can in no way be used or interpreted as a technical drawing. Specific advice should be obtained from your O-I representative with regards to the suitability of products prior to any application. The information on industry containers is updated from time to time, however O-I reserves the right to amend the specifications or to withdraw certain containers from sale without notice.

www.o-i.com
www.glass-catalog.com

© 2026, O-I Glass, Inc