



FOOD
COLLECTION



COOKING SAUCES

A broad selection to best preserve these tasty sauces. Let's cook!



FLINT

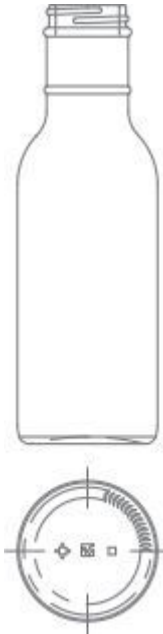
1341008-11

BARBECUE SAUCE

AVAILABLE COLORS



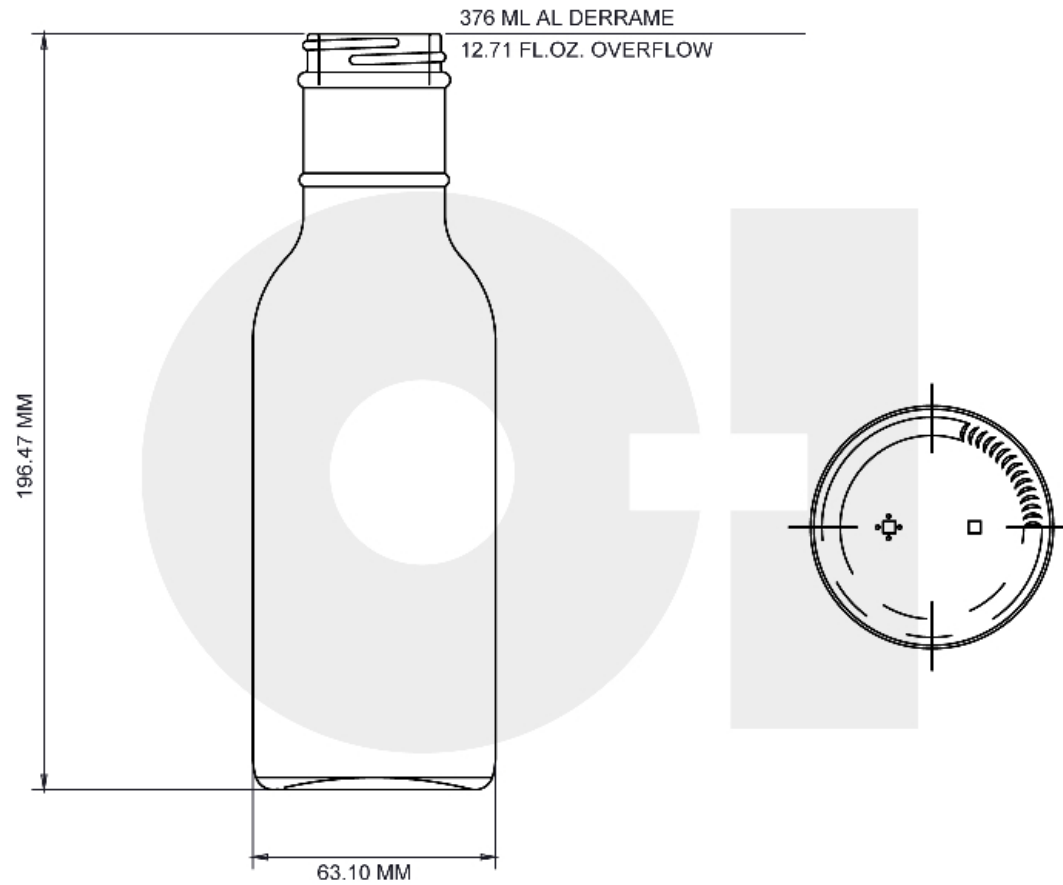
Flint



TECHNICAL SPECIFICATIONS

Product code	1341008
Capacity	12.410 oz / 367 ml
Brimfull capacity	12.714 oz / 376 ml
Height	7.735 in / 196.5 mm
Diameter	2.484 in / 63.1 mm
Refillable	No
Weight	8.854 oz / 251 g

VIDRIO CONFIABLE, PURO Y ÚNICO



 ENVASES	
NOMBRE: NAME:	BARBECUE SAUCE
MOLDURA: MOLD:	1341008
CORONA N°: FINISH N°:	38-400
RET <input type="checkbox"/>	NR <input checked="" type="checkbox"/>

Todos los Derechos Reservados © 2017 O-I, S.A.B. de C.V. Magallanes 517 Ote. Col. Treviño 64570 Monterrey, Nuevo León.





O-I Mexico - April 5, 2026

The images, specifications and other data on this page are for information purposes only. The present information can in no way be used or interpreted as a technical drawing. Specific advice should be obtained from your O-I representative with regards to the suitability of products prior to any application. The information on industry containers is updated from time to time, however O-I reserves the right to amend the specifications or to withdraw certain containers from sale without notice.

www.o-i.com

www.glass-catalog.com

© 2026, O-I Glass, Inc