



FOOD
COLLECTION



PRESERVED FRUITS & VEGETABLES

From 10cl to a gallon, every fruit and vegetable will find its jar.



46 OZ W/M JAR

AVAILABLE COLORS



Flint

FLINT

1987002-11

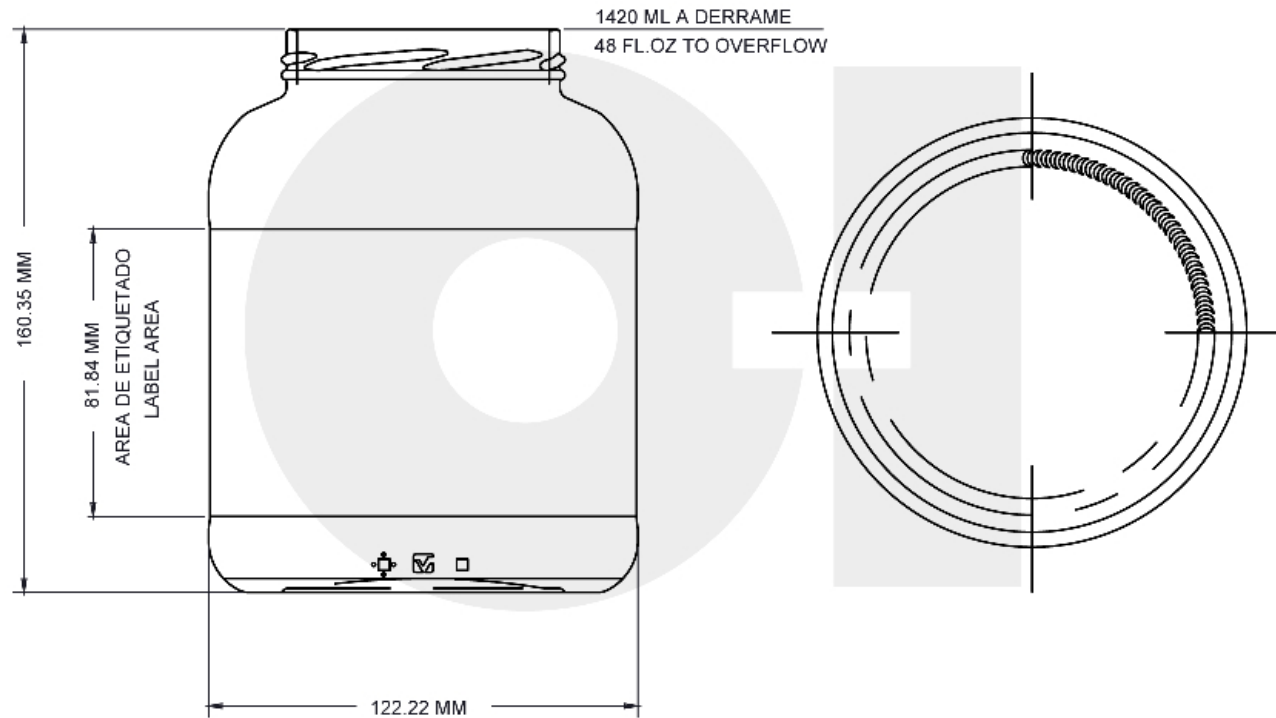




TECHNICAL SPECIFICATIONS

Product code	1987002
Capacity	46.088 oz / 1,363 ml
Brimfull capacity	48.016 oz / 1,420 ml
Height	6.313 in / 160.4 mm
Diameter	4.812 in / 122.2 mm
Refillable	No
Weight	19.718 oz / 559 g

VIDRIO CONFIABLE, PURO Y ÚNICO



 ENVASES	
NOMBRE: NAME:	46 OZ DALTON PICKLE SPEAR JAR
MOLDURA: MOLD:	1987002
CORONA N°: FINISH N°:	82-2040
RET <input type="checkbox"/>	NR <input checked="" type="checkbox"/>

Todos los Derechos Reservados © 2017 O-I, S.A.B. de C.V. Magallanes 517 Ote. Col. Treviño 64570 Monterrey, Nuevo León.





O-I Mexico - April 5, 2025

The images, specifications and other data on this page are for information purposes only. The present information can in no way be used or interpreted as a technical drawing. Specific advice should be obtained from your O-I representative with regards to the suitability of products prior to any application. The information on industry containers is updated from time to time, however O-I reserves the right to amend the specifications or to withdraw certain containers from sale without notice.

www.o-i.com
www.glass-catalog.com

© 2025, O-I Glass, Inc