



**NON-ALCOHOLIC BEVERAGES  
COLLECTION**



# CARBONATED SOFT DRINK

Capture the fizz and let your drink's character shine through our special range of bottles.



FLINT

7249081-11

# GENÉRICA 12 OZ 28-1650

AVAILABLE COLORS



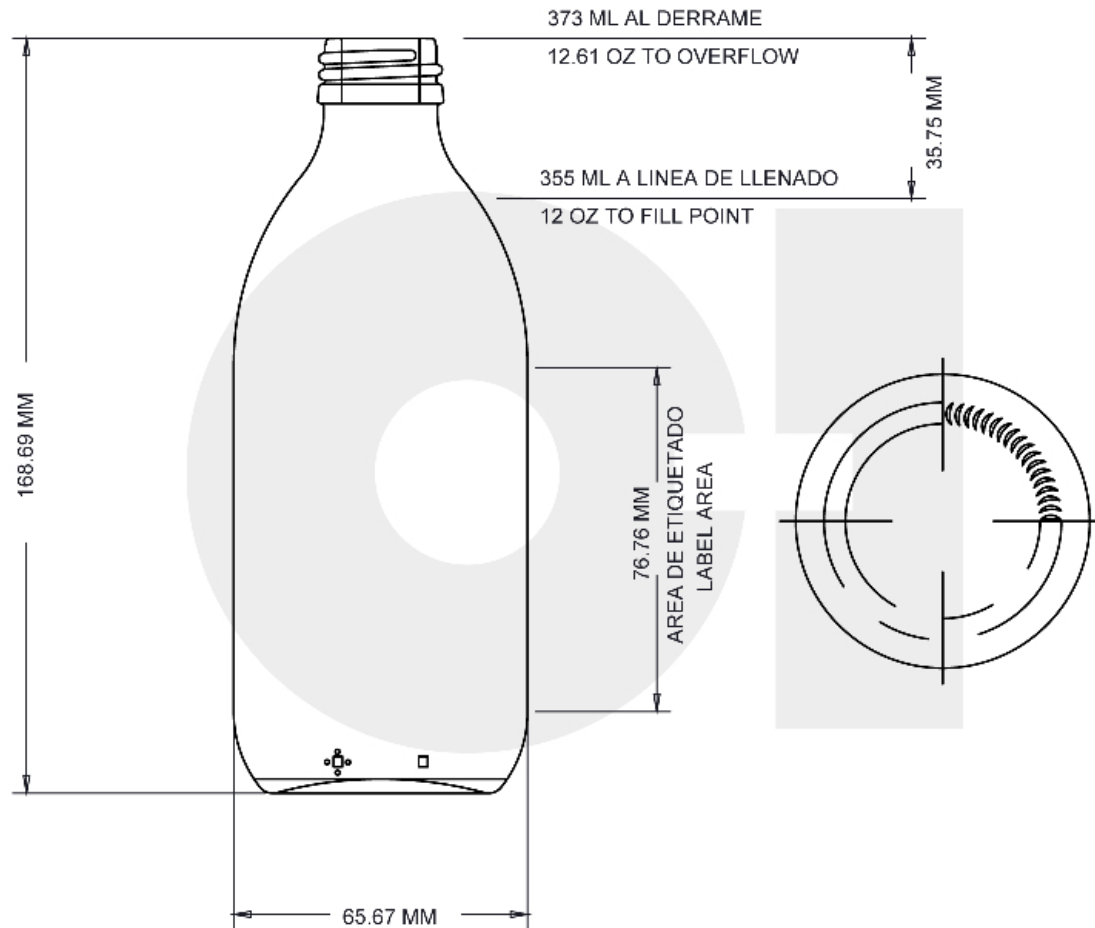
Flint



### TECHNICAL SPECIFICATIONS

Product code	7249081
Capacity	12.004 oz / 355 ml
Brimfull capacity	12.613 oz / 373 ml
Height	6.641 in / 168.7 mm
Diameter	2.586 in / 65.7 mm
Refillable	No
Weight	5.820 oz / 165 g

# VIDRIO CONFIABLE, PURO Y ÚNICO



## ENVASES

NOMBRE: NAME:	GENERICA 12 OZ 28-1650
MOLDURA: MOLD:	7249081
CORONA N°: FINISH N°:	28-1650

RET

NR

X

Todos los Derechos Reservados © 2017 O-I, S.A.B. de C.V. Magallanes 517 Ote. Col. Treviño 64570 Monterrey, Nuevo León.





O-I Mexico - May 3, 2026

The images, specifications and other data on this page are for information purposes only. The present information can in no way be used or interpreted as a technical drawing. Specific advice should be obtained from your O-I representative with regards to the suitability of products prior to any application. The information on industry containers is updated from time to time, however O-I reserves the right to amend the specifications or to withdraw certain containers from sale without notice.

[www.o-i.com](http://www.o-i.com)

[www.glass-catalog.com](http://www.glass-catalog.com)

© 2026, O-I Glass, Inc