



**NON-ALCOHOLIC BEVERAGES
COLLECTION**



**NON-
PRESSURIZED**



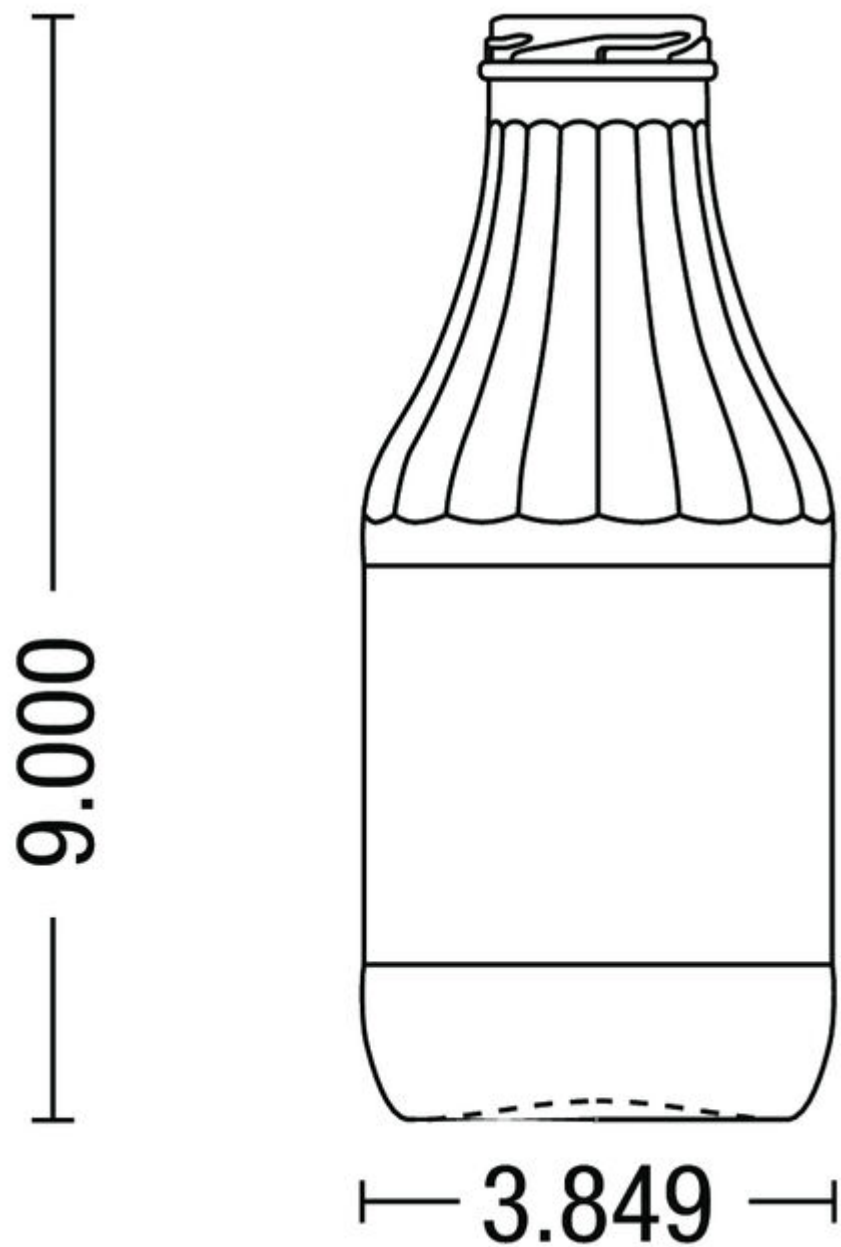
FLINT
F3500219

IL NON-REFILLABLE

AVAILABLE COLORS



Flint



TECHNICAL SPECIFICATIONS

| | |
|-------------------|------------------------|
| Product code | 500219 |
| Capacity | 33.814 oz / 1000.00 ml |
| Brimfull capacity | 35.403 oz / 1047.00 ml |
| Height | 9.000 in / 228.60 mm |
| Diameter | 3.849 in / 97.76 mm |
| Fill point | 33.814 oz / 1000.00 ml |
| Shape | Round |
| Finish | 48-2010 |
| Label protection | No |
| Refillable | No |
| Weight | 16.000 oz / 453.59 g |
| Mold | C-9336 |



O-I United States/Canada - March 30, 2025

The images, specifications and other data on this page are for information purposes only. The present information can in no way be used or interpreted as a technical drawing. Specific advice should be obtained from your O-I representative with regards to the suitability of products prior to any application. The information on industry containers is updated from time to time, however O-I reserves the right to amend the specifications or to withdraw certain containers from sale without notice.

www.o-i.com

www.glass-catalog.com

© 2025, O-I Glass, Inc