



**SPIRITS
COLLECTION**



FLINT - INDUSTRIAL 1200

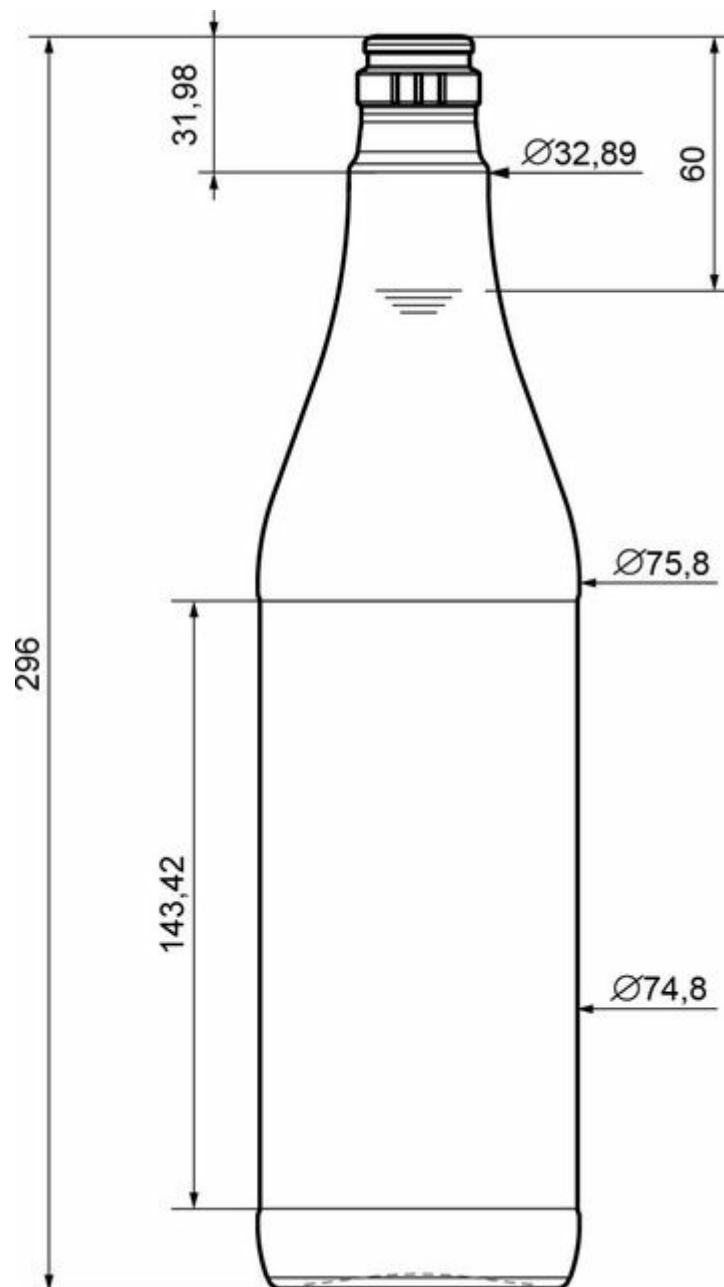
F42005666

L-510

AVAILABLE COLORS



Flint - Industrial 1200



TECHNICAL SPECIFICATIONS

Product code	2005666
Capacity	750 ml
Brimfull capacity	750 ml
Height	296 mm
Shape	Round
Label protection	No
Refillable	No
Weight	435 g
Mold number	L-510



O-I South America - December 15, 2025

The images, specifications and other data on this page are for information purposes only. The present information can in no way be used or interpreted as a technical drawing. Specific advice should be obtained from your O-I representative with regards to the suitability of products prior to any application. The information on industry containers is updated from time to time, however O-I reserves the right to amend the specifications or to withdraw certain containers from sale without notice.

www.o-i.com

www.glass-catalog.com

© 2025, O-I Glass, Inc