



FOOD
COLLECTION



CONDIMENTS & TABLE SAUCES

A wide range of jars and bottles designed to make mouths water.



212ML TO/S TO53

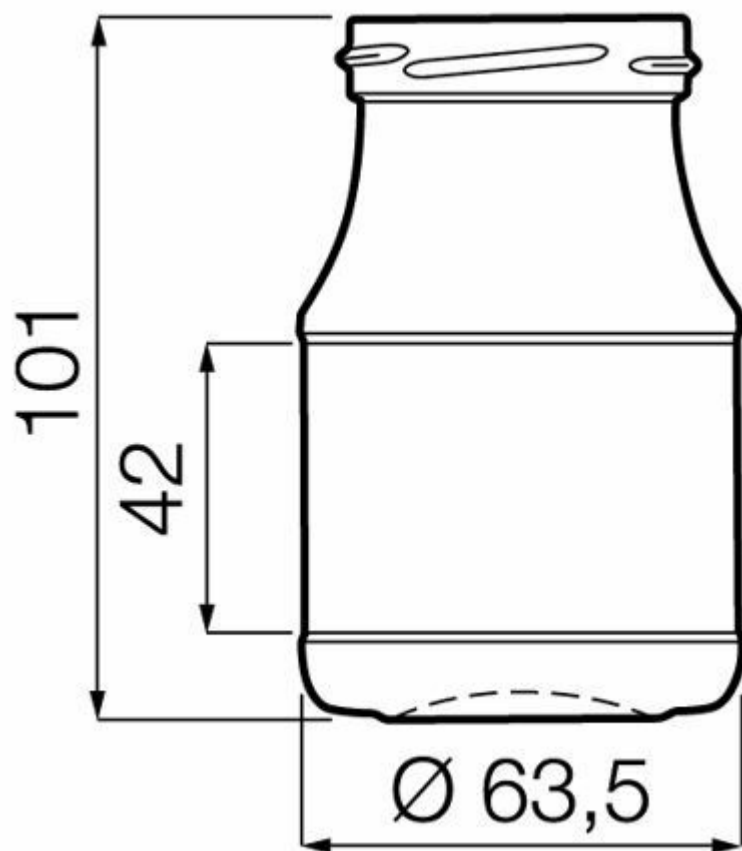
AVAILABLE COLORS



Flint

FLINT

F3006051



TECHNICAL SPECIFICATIONS

Product code	006051
Capacity	21.2 cl
Brimfull capacity	21.2 cl
Height	101.0 mm
Diameter	63.5 mm
Shape	Round
Finish	Wide mouth
Label protection	No
Refillable	No
Weight	115 g
Country	Poland

PACKAGING SPECIFICATIONS

Containers per pallet	5832
Layers per pallet	18
Pallet width	1000 mm
Pallet depth	1200 mm
Pallet height	2006 mm
Gross weight of pallet	706.00 kg

i Other packaging specs are available upon request.



O-I Europe - 26 December 2024

The images, specifications and other data on this page are for information purposes only. The present information can in no way be used or interpreted as a technical drawing. Specific advice should be obtained from your O-I representative with regards to the suitability of products prior to any application. The information on industry containers is updated from time to time, however O-I reserves the right to amend the specifications or to withdraw certain containers from sale without notice.

www.o-i.com

www.glass-catalog.com

© 2024, O-I Glass, Inc