



FOOD
COLLECTION



CONDIMENTS & TABLE SAUCES

A wide range of jars and bottles designed to make mouths water.



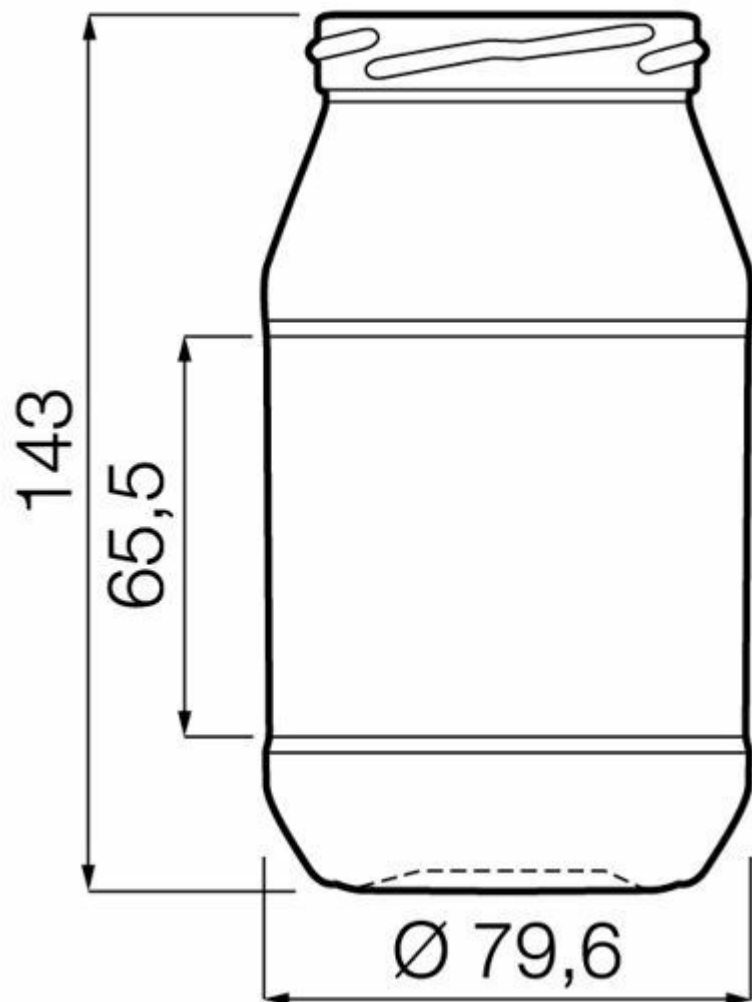
FLINT
F3006179

53CL MAJONEZ TO66

AVAILABLE COLORS



Flint



TECHNICAL SPECIFICATIONS

Product code	006179
Capacity	53.0 cl
Brimfull capacity	53.0 cl
Height	143.0 mm
Diameter	79.6 mm
Shape	Round
Finish	Wide mouth
Label protection	No
Refillable	No
Weight	225 g
Country	Poland

PACKAGING SPECIFICATIONS

Containers per pallet	2639
Layers per pallet	13
Pallet width	1000 mm
Pallet depth	1200 mm
Pallet height	2048 mm
Gross weight of pallet	631.00 kg

i Other packaging specs are available upon request.



O-I Europe - 8 April 2026

The images, specifications and other data on this page are for information purposes only. The present information can in no way be used or interpreted as a technical drawing. Specific advice should be obtained from your O-I representative with regards to the suitability of products prior to any application. The information on industry containers is updated from time to time, however O-I reserves the right to amend the specifications or to withdraw certain containers from sale without notice.

www.o-i.com

www.glass-catalog.com

© 2026, O-I Glass, Inc